



Welding & Cutting Torch Technology

Product Catalogue

BZL Progrip Series



About Us

Uniarc is part of a group of companies specializing in the production of Welding and Cutting torches.

With over 40 years experience, the group is positioned as a global leader at the heart of the welding torch industry.

Originally established in the United Kingdom in the 1980's, the company is now a fully-fledged, vertically integrated Chinese product innovator and manufacturer.

Whether you need a standard off the shelf product or a customized branded option with your own colours, logos and packaging we have a one stop solution for your requirements.

Our customers span a full cross section of the industry ranging from general distribution to leading global original equipment manufacturers.

Our products are found in fabrication workshops to ...xxxxxx

Our team are here to help, contact us today if you need anymore information.



find out more www.uniarc.com.cn

Ranges

BZL Mig/Mag Torch Series

| | |
|--------------------------------------|---|
| BZL Progrip Lite Mig/Mag Torch Range | 1 |
| BZL Progrip Mig/Mag Torch Range | 9 |

Contents

| | |
|----------------|---|
| Features Focus | 2 |
| Range Overview | 3 |

Torch Model

| | | |
|-------------------|-------------------|---|
| Air-Cooled | Progrip Lite 150A | 4 |
| | Progrip Lite 240A | 5 |
| | Progrip Lite 250A | 6 |
| | Progrip Lite 360A | 7 |

Wear Parts

| | |
|---------------------|----|
| BZL Nozzles | 28 |
| BZL Nozzle Adaptors | 29 |
| BZL Contact Tips | 29 |
| BZL Tip Adaptors | 31 |
| BZL Diffusers | 32 |
| BZL Liners | 33 |

Customized Branding Options

| | | |
|--------------------|-----------------|----|
| Auto-Series | Handle Options | 37 |
| | Trigger Options | 38 |
| | Label Options | 39 |

BZL Progrip Lites BZL Air-Cooled torches offered in a neutral brand, with the option to customize your own colours and packaging giving your brand a presence that truly stands out.

Consumable Parts

All wear and spare parts are manufactured to the same specification as the OEM and are fully interchangeable.

Medium Ergo Trigger Assembly

Rapid field servicing ensured by a simple "plug and play" system. Switches can be exchanged in 5 seconds without the use of tools.

Knuckle Joint and Cable Support

Small movements of the handle and neck are possible independent of the cable assembly. A moulded polymer cable support increases flexibility and electrode support.



Spring Pins

Fitted with unbreakable spring loaded gun plug body pins.

Rear Cable Support

Extra length cable support systems ensure smooth and consistent wire feed at any angle.

Gun Plug Housing

Tough and damage resistant, housings and nuts are formed in robust glass-reinforced polymers encasing all conductive parts in accordance with EN60974-7.

Swan Necks

Manufactured to the same specification as the OEM.

Ergo Handle

A patented screwless design combines the ultimate in balance, positioning and ergonomics.

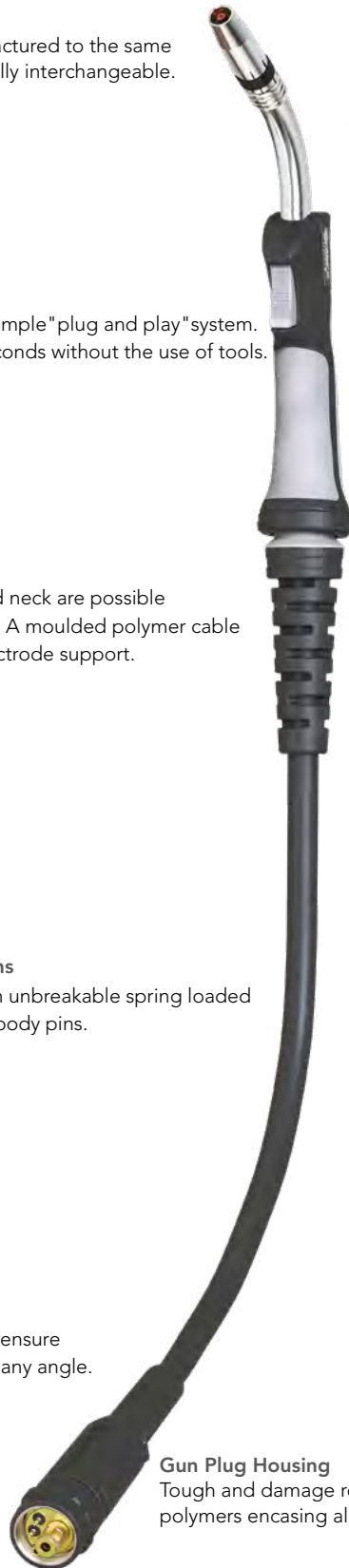
Torch handles disassemble in 5 seconds for rapid fault analysis. Top and bottom handle soft grips ensure all-day welder comfort.



Cable Systems

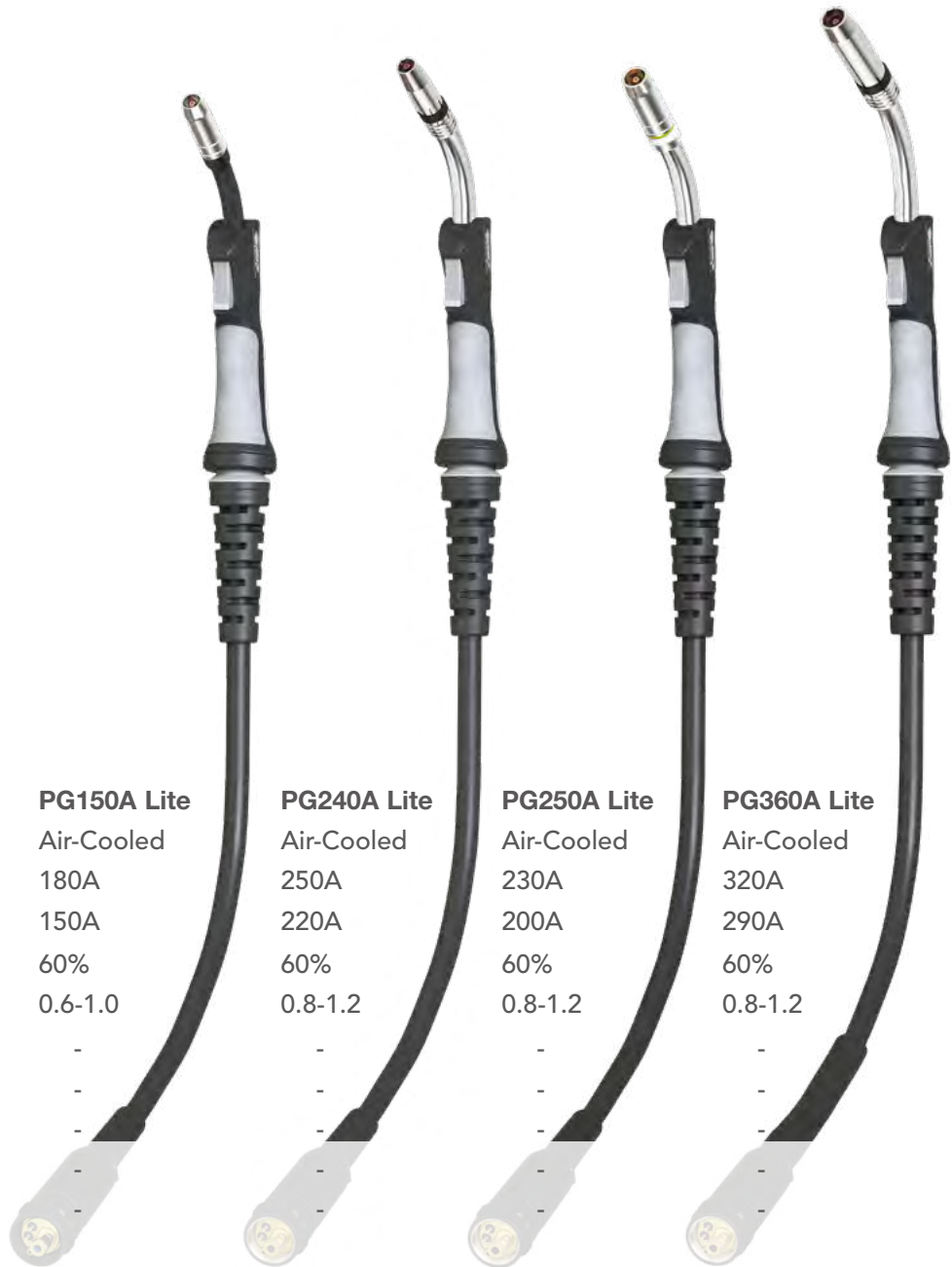
Lite series cable sets offer a 30-40% weight saving at equivalent performance levels.

The outer jacket is constructed from cross-linked polymers providing a tear proof outer with a burn threshold of 375°C.



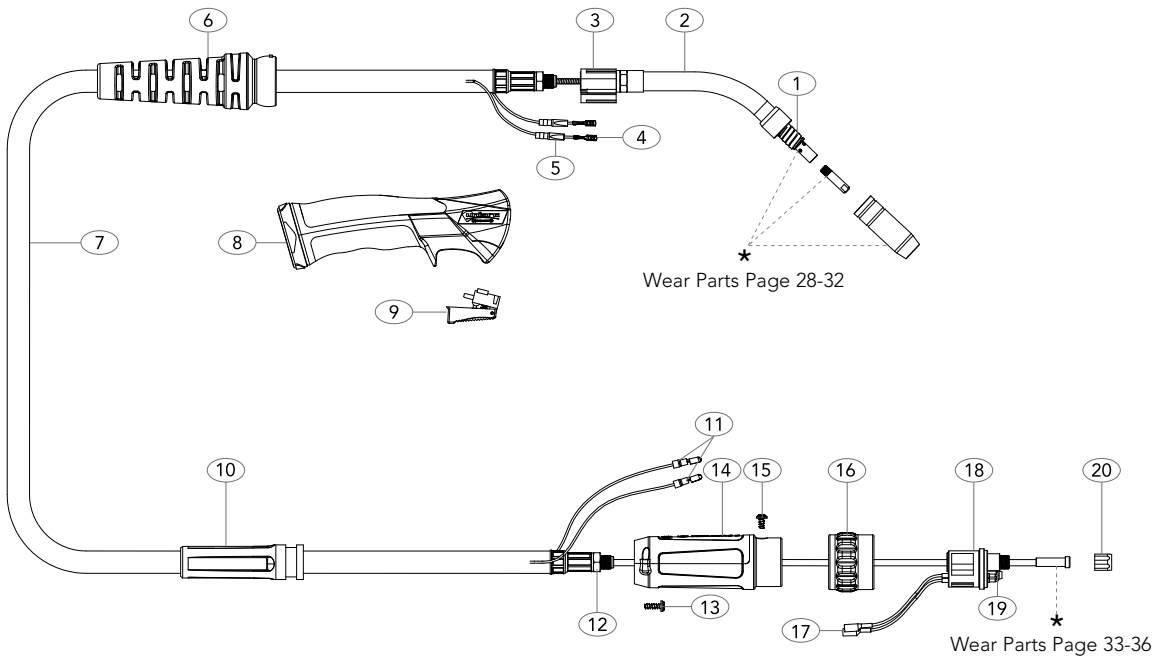
BZL Progrip Lite Mig / Mag Air-Cooled Series

Ratings: 150 Amp to 290 Amp, Mixed Gas M21



| Technical Data | PG150A Lite | PG240A Lite | PG250A Lite | PG360A Lite |
|---------------------------------|-------------|-------------|-------------|-------------|
| Cooling Method | Air-Cooled | Air-Cooled | Air-Cooled | Air-Cooled |
| Rating: CO ₂ | 180A | 250A | 230A | 320A |
| Rating: Mixed Gas M21 | 150A | 220A | 200A | 290A |
| Duty Cycle: | 60% | 60% | 60% | 60% |
| Wire Size: | 0.6-1.0 | 0.8-1.2 | 0.8-1.2 | 0.8-1.2 |
| Minimum Water Flow | - | - | - | - |
| Minimum Water Inlet Pressure | - | - | - | - |
| Minimum Cooling Requirements | - | - | - | - |
| Maximum Water Inlet Pressure | - | - | - | - |
| Maximum Water Inlet Temperature | - | - | - | - |

| Order Codes | 3mt | UDU1500-30ER | UDU2400-30ER | UDU2500-30ER | UDU3600-30ER |
|-------------|-----|--------------|--------------|--------------|--------------|
| | 4mt | UDU1500-40ER | UDU2400-40ER | UDU2500-40ER | UDU3600-40ER |
| | 5mt | UDU1500-50ER | UDU2400-50ER | UDU2500-50ER | UDU3600-50ER |



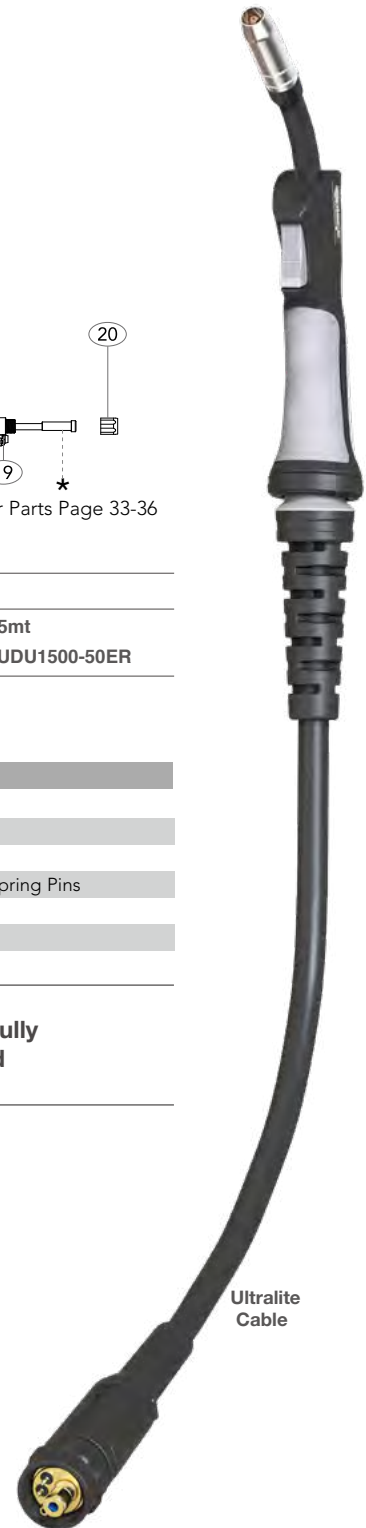
MODEL

| Description | Part Number | | |
|----------------------------|---------------------|---------------------|---------------------|
| Progrid Lite Torch Package | 3mt UDU1500-30ER | 4mt UDU1500-40ER | 5mt UDU1500-50ER |

SPARE PARTS

| Part Number | Description | Part Number | Description |
|-------------|--|-------------|---|
| 1 | UB1504 Shroud Spring | 15 | UBL1541 Gun Plug Screw |
| 2 | UB1501 Swan Neck Assembly | 16 | UC1519/P Gun Plug Nut |
| 3 | UG1515 Ergo Handle Location Body | 17 | UB1523 Gun Plug Terminal Female |
| 4 | UB1521 Cable Terminal | 18 | UC1528 Hybrid Gun Plug Body c/w Spring Pins |
| 5 | UB1521-C Cable Terminal Cover | 19 | UB1524 Gun Plug 'O' Ring |
| 6 | UG8015 Handle Cable Support c/w Ball Joint | 20 | UB1525 Liner Nut |
| 7 | UDU1517-30 Lite Cable Assembly x 3mt | | |
| | UDU1517-40 Lite Cable Assembly x 4mt | | |
| | UDU1517-50 Lite Cable Assembly x 5mt | | |
| 8 | UG2514 Ergo Handle Kit c/w Lock Nut | | |
| 9 | UG2516 Medium / Large Ergo Trigger | | |
| 10 | UC2841 Cable Support | | |
| 11 | UB1522 Cable Terminal Male | | |
| 12 | UB1505 Lock Nut | | |
| 13 | SCSP1-1 Gun Plug Housing Screw | | |
| 14 | SC2578/S Gun Plug Housing c/w Nut | | |

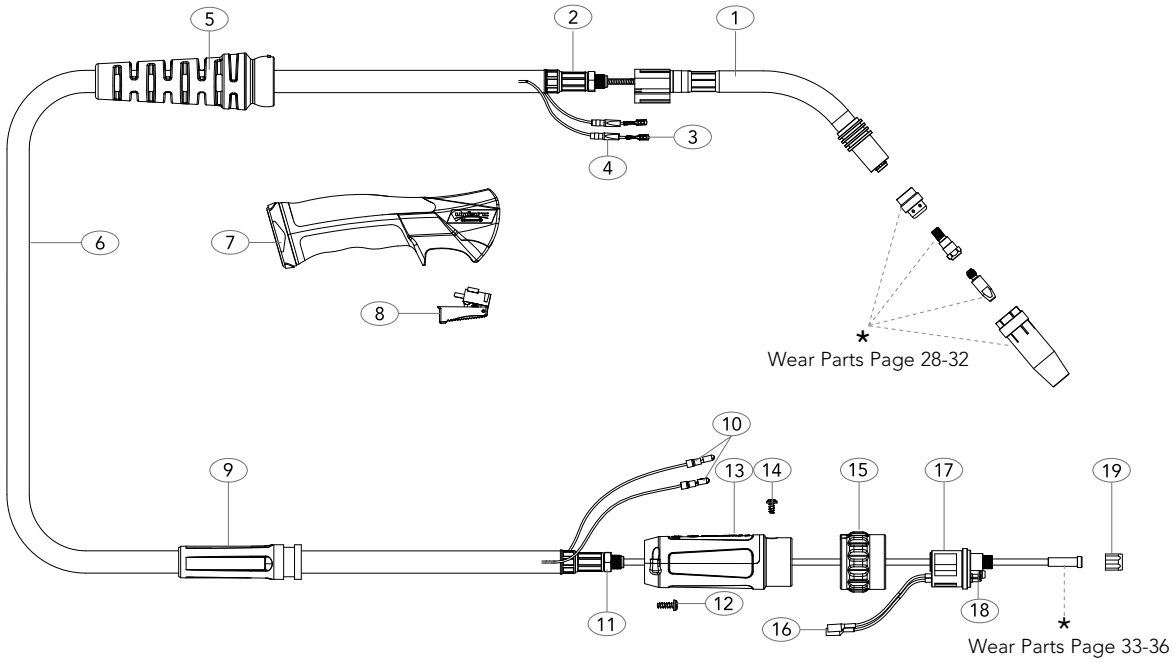
Standard products can be fully customized and branded



All products conform to EN60974-7, **CE** and are RoHS2, REACH and WEEE compliant

PG240A Progrid Lite Air-Cooled Mig Welding Torch

Rating: 250A CO₂, 220A mixed gas M21, EN60974-7 @ 60% duty cycle. 0.8 to 1.2mm wires



MODEL

| Description | Part Number | | |
|----------------------------|--------------|--------------|--------------|
| Progrid Lite Torch Package | 3mt | 4mt | 5mt |
| | UDU2400-30ER | UDU2400-40ER | UDU2400-50ER |

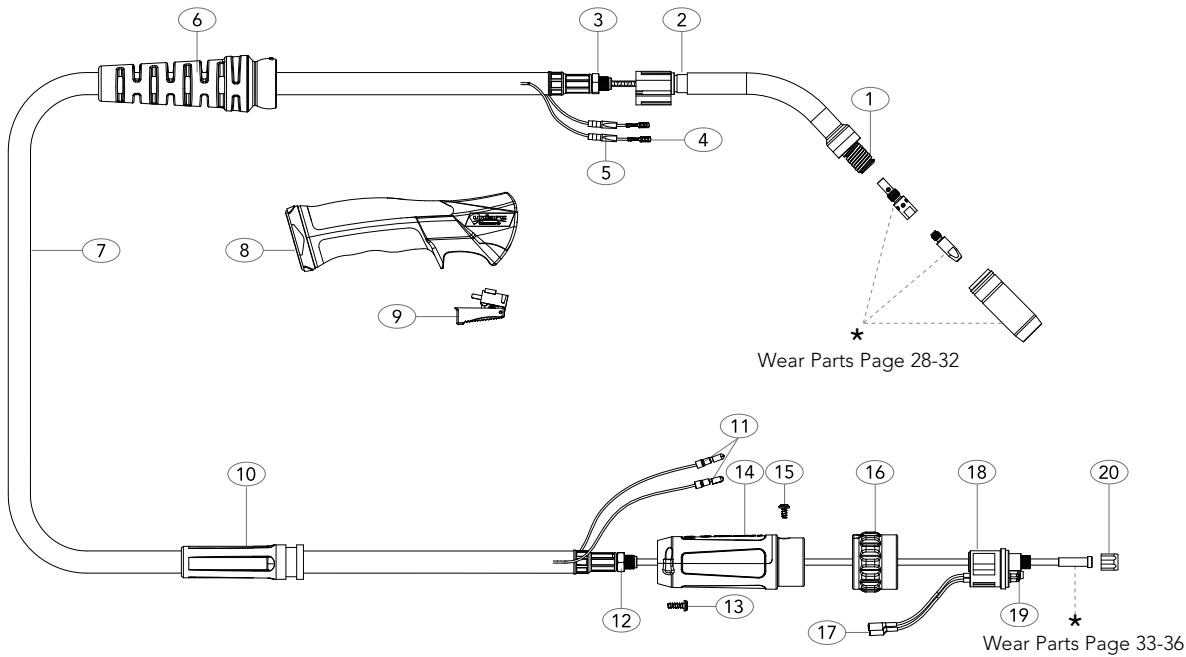
SPARE PARTS

| Part Number | Description | Part Number | Description |
|-------------|--|-------------|---|
| 1 | UG2401 Swan Neck Assembly | 15 | UC1519/S Gun Plug Nut |
| 2 | UG1515 Ergo Handle Location Body | 16 | UB1523 Gun Plug Terminal Female |
| 3 | UB1521 Cable Terminal | 17 | UC1528 Hybrid Gun Plug Body c/w Spring Pins |
| 4 | UB1521-C Cable Terminal Cover | 18 | UB1524 Gun Plug 'O' Ring |
| 5 | UG8015 Handle Cable Support c/w Ball Joint | 19 | UB1525 Liner Nut |
| 6 | UDU2603-30 Lite Cable Assembly x 3mt | | |
| | UDU2603-40 Lite Cable Assembly x 4mt | | |
| | UDU2603-50 Lite Cable Assembly x 5mt | | |
| 7 | UG2514 Ergo Handle Kit c/w Lock Nut | | |
| 8 | UG2516 Medium / Large Ergo Trigger | | |
| 9 | UC2841 Cable Support | | |
| 10 | UB1522 Cable Terminal Male | | |
| 11 | UB1505 Lock Nut | | |
| 12 | SCSP1-1 Gun Plug Housing Screw | | |
| 13 | SC2578/S Gun Plug Housing c/w Nut | | |
| 14 | UBL1541 Gun Plug Screw | | |

Standard products can be fully customized and branded

Ultralite Cable

All products conform to EN60974-7, and are RoHS2, REACH and WEEE compliant



MODEL

| Description | Part Number | | |
|----------------------------|---------------------|---------------------|---------------------|
| Progrid Lite Torch Package | 3mt UDU2500-30ER | 4mt UDU2500-40ER | 5mt UDU2500-50ER |

SPARE PARTS

| Part Number | Description | Part Number | Description |
|-------------|--|-------------|---|
| 1 | UB2502 Shroud Spring | 15 | UBL1541 Gun Plug Screw |
| 2 | UG2501 Swan Neck Assembly | 16 | UC1519/S Gun Plug Nut |
| 3 | UG1515 Ergo Handle Location Body | 17 | UB1523 Gun Plug Terminal Female |
| 4 | UB1521 Cable Terminal | 18 | UC1528 Hybrid Gun Plug Body c/w Spring Pins |
| 5 | UB1521-C Cable Terminal Cover | 19 | UB1524 Gun Plug 'O' Ring |
| 6 | UG8015 Handle Cable Support c/w Ball Joint | 20 | UB1525 Liner Nut |
| 7 | UDU2503-30 Lite Cable Assembly x 3mt | | |
| | UDU2503-40 Lite Cable Assembly x 4mt | | |
| | UDU2503-50 Lite Cable Assembly x 5mt | | |
| 8 | UG2514 Ergo Handle Kit c/w Lock Nut | | |
| 9 | UG2516 Medium / Large Ergo Trigger | | |
| 10 | UC2841 Cable Support | | |
| 11 | UB1522 Cable Terminal Male | | |
| 12 | UB1505 Lock Nut | | |
| 13 | SCSP1-1 Gun Plug Housing Screw | | |
| 14 | SC2578/S Gun Plug Housing c/w Nut | | |

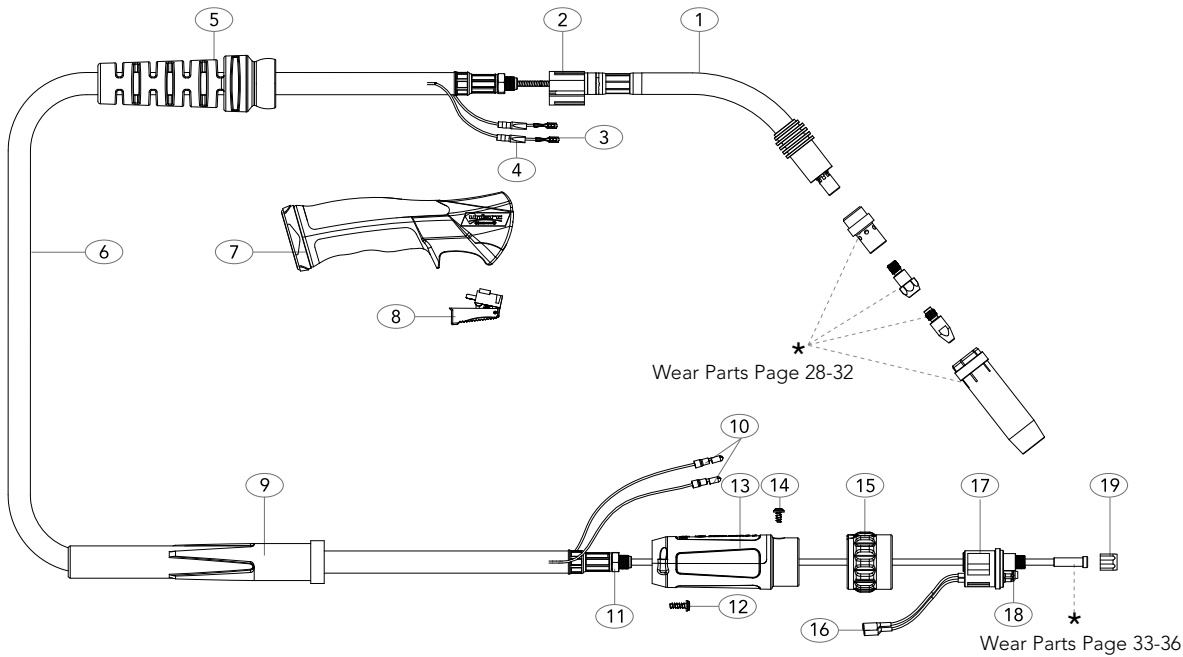
Standard products can be fully customized and branded

Ultralite Cable

All products conform to EN60974-7, **CE** and are RoHS2, REACH and WEEE compliant

PG360A Progrid Lite Air-Cooled Mig Welding Torch

Rating: 320A CO₂ 320A mixed gas M21, EN60974-7 @ 60% duty cycle. 0.8 to 1.2mm wires



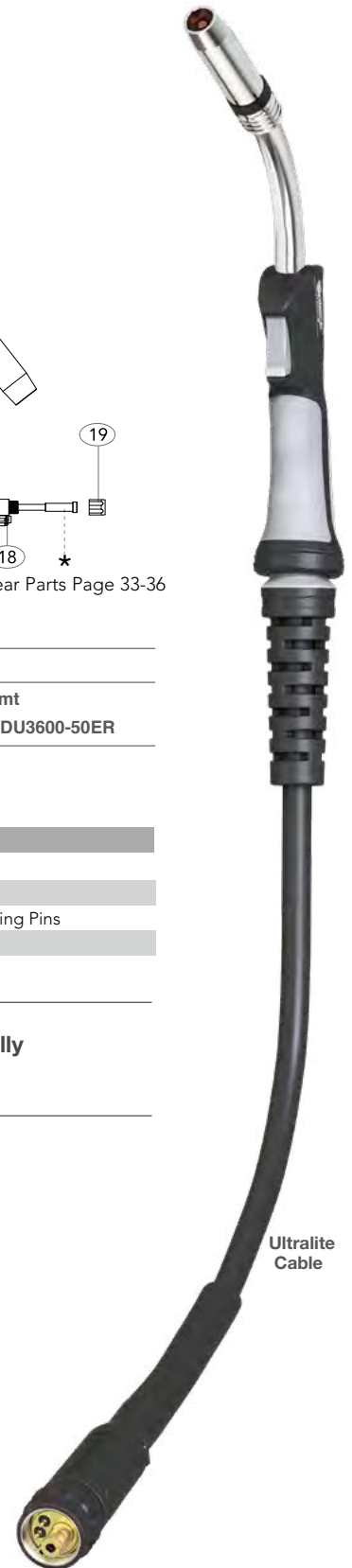
MODEL

| Description | Part Number | | |
|----------------------------|---------------------|---------------------|---------------------|
| Progrid Lite Torch Package | 3mt UDU3600-30ER | 4mt UDU3600-40ER | 5mt UDU3600-50ER |

SPARE PARTS

| Part Number | Description | Part Number | Description |
|-------------|--|-------------|---|
| 1 | UG3603 Swan Neck Assembly | 15 | UC1519/S Gun Plug Nut |
| 2 | UG1515 Ergo Handle Location Body | 16 | UB1523 Gun Plug Terminal Female |
| 3 | UB1521 Cable Terminal | 17 | UC1528 Hybrid Gun Plug Body c/w Spring Pins |
| 4 | UB1521-C Cable Terminal Cover | 18 | UB1524 Gun Plug 'O' Ring |
| 5 | UG8016 Handle Cable Support c/w Ball Joint | 19 | UB1525 Liner Nut |
| 6 | UDU3609-30 Lite Cable Assembly x 3mt | | |
| | UDU3609-40 Lite Cable Assembly x 4mt | | |
| | UDU3609-50 Lite Cable Assembly x 5mt | | |
| 7 | UG2514 Ergo Handle Kit c/w Lock Nut | | |
| 8 | UG2516 Medium / Large Ergo Trigger | | |
| 9 | UPA3541 Cable Support | | |
| 10 | UB1522 Cable Terminal Male | | |
| 11 | UB1505 Lock Nut | | |
| 12 | SCSP1-1 Gun Plug Housing Screw | | |
| 13 | SC2578/S Gun Plug Housing c/w Nut | | |
| 14 | UBL1541 Gun Plug Screw | | |

Standard products can be fully customized and branded



All products conform to EN60974-7, CE and are RoHS2, REACH and WEEE compliant

Contents

| | |
|-----------------------|-----------|
| Features Focus | 10 |
| Range Overview | 12 |

Torch Model

| | | |
|----------------------|---------------------|----|
| Air-Cooled | Progrip PG150A | 16 |
| | Progrip PG240A | 17 |
| | Progrip PG250A | 18 |
| | Progrip PG360A | 19 |
| | Progrip PG380A | 20 |
| Liquid-Cooled | Progrip PG240W | 21 |
| | Progrip PG401W | 22 |
| | Progrip PG501W | 23 |
| | Progrip PG555W | 24 |
| | Progrip PG605W | 25 |
| Auto-Series | Progrip PG360A Auto | 26 |
| | Progrip PG501W Auto | 27 |

Wear Parts

| | |
|---------------------|----|
| BZL Nozzles | 28 |
| BZL Nozzle Adaptors | 29 |
| BZL Contact Tips | 29 |
| BZL Tip Adaptors | 31 |
| BZL Diffusers | 32 |
| BZL Liners | 33 |

Customized Branding Options

| | |
|-----------------|----|
| Handle Options | 37 |
| Trigger Options | 39 |
| Label Options | 39 |

Premium BZL Progrip Air-Cooled torches offered in a neutral brand, with the option to customize your own colours and packaging giving your brand a presence that truly stands out.

Consumable Parts

All wear and spare parts are manufactured to the same specification as the OEM and are fully interchangeable.

Hanger Hook

A "plug and play" option, they encourage the operator to hang the torch off the ground where it is easy to locate.

Medium Ergo Trigger Assembly

Rapid field servicing ensured by a simple "plug and play" system. Switches can be exchanged in 5 seconds without the use of tools.

Knuckle Joint and Cable Support

Small movements of the handle and neck are possible independent of the cable assembly. A moulded polymer cable support increases flexibility and electrode support.



Spring Pins

Fitted with unbreakable spring loaded gun plug body pins.

Rear Cable Support

Extra length cable support systems ensure smooth and consistent wire feed at any angle.

Gun Plug Housing

Tough and damage resistant, housings and nuts are formed in robust glass-reinforced polymers encasing all conductive parts in accordance with EN60974-7.

Swan Necks

Manufactured to the same specification as the OEM.

Ergo Handle

A patented screwless design combines the ultimate in balance, positioning and ergonomics.

Torch handles disassemble in 5 seconds for rapid fault analysis. Top and bottom handle soft grips ensure all-day welder comfort.



Duraflex Cable Systems

Air-Cooled cable assemblies offer outstanding flexibility with the highest heat and abrasion resistance of any known cable.

The outer jacket is constructed from cross-linked polymers providing a tear proof outer with a burn threshold of 375°C.



BZL Progrip Mig / Mag Liquid-Cooled Series

Features Focus

Premium BZL Progrip Liquid-Cooled torches offered in a neutral brand, with the option to customize your own colours and packaging giving your brand a presence that truly stands out.

Consumable Parts

All wear and spare parts are manufactured to the same specification as the OEM and are fully interchangeable.

Hanger Hook

A "plug and play" option, they encourage the operator to hang the torch off the ground where it is easy to locate.

Medium Ergo Trigger Assembly

Rapid field servicing ensured by a simple "plug and play" system. Switches can be exchanged in 5 seconds without the use of tools.

Knuckle Joint and Cable Support

Small movements of the handle and neck are possible independent of the cable assembly. A moulded polymer cable support increases flexibility and electrode support.

Swan Necks

Manufactured to the same specification as the OEM.

Ergo Handle

Handle weight has been reduced wherever possible, which when combined with the correct ratio of cable support length and stiffness, provides the perfect balance between user comfort and excellent wire feed performance.

Top and bottom handle soft grips ensure all day welder comfort.



Hydroflex Cable Systems

Liquid-Cooled cable systems use high temperature-resistant rubber cables and are colour coded for ease of identification.

Unique cable end geometries ensure leak free terminations.



Spring Pins

Fitted with unbreakable spring loaded gun plug body pins.

Water In/Out Supports

Fitted as standard to ensure delivery and uninterrupted flow rate of coolants.

Rear Cable Support

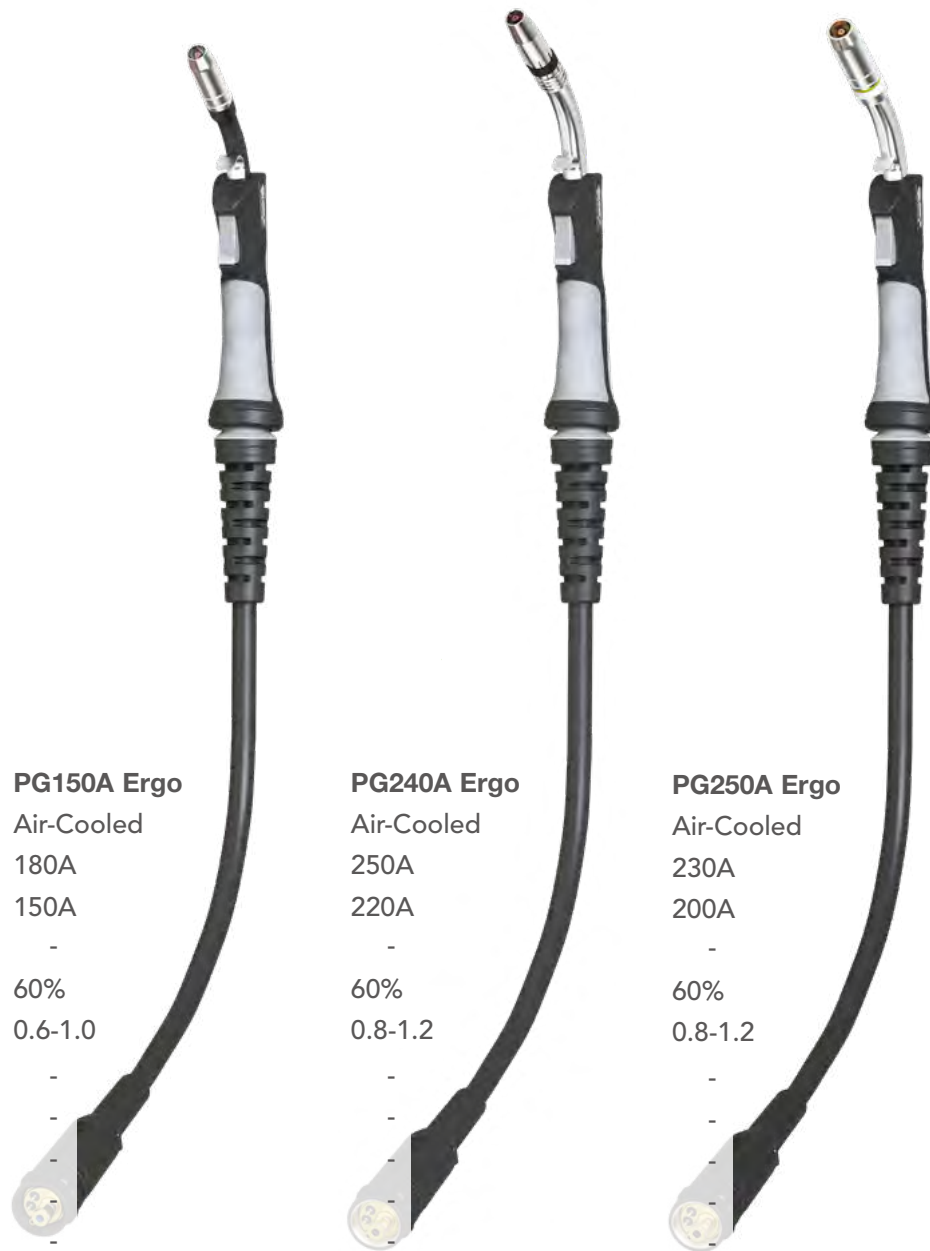
Extra length cable support systems ensure smooth and consistent wire feed at any angle.

Gun Plug Housing

Tough and damage resistant, housings and nuts are formed in robust glass-reinforced polymers encasing all conductive parts in accordance with EN60974-7.

BZL Progrip Mig / Mag Torch Series

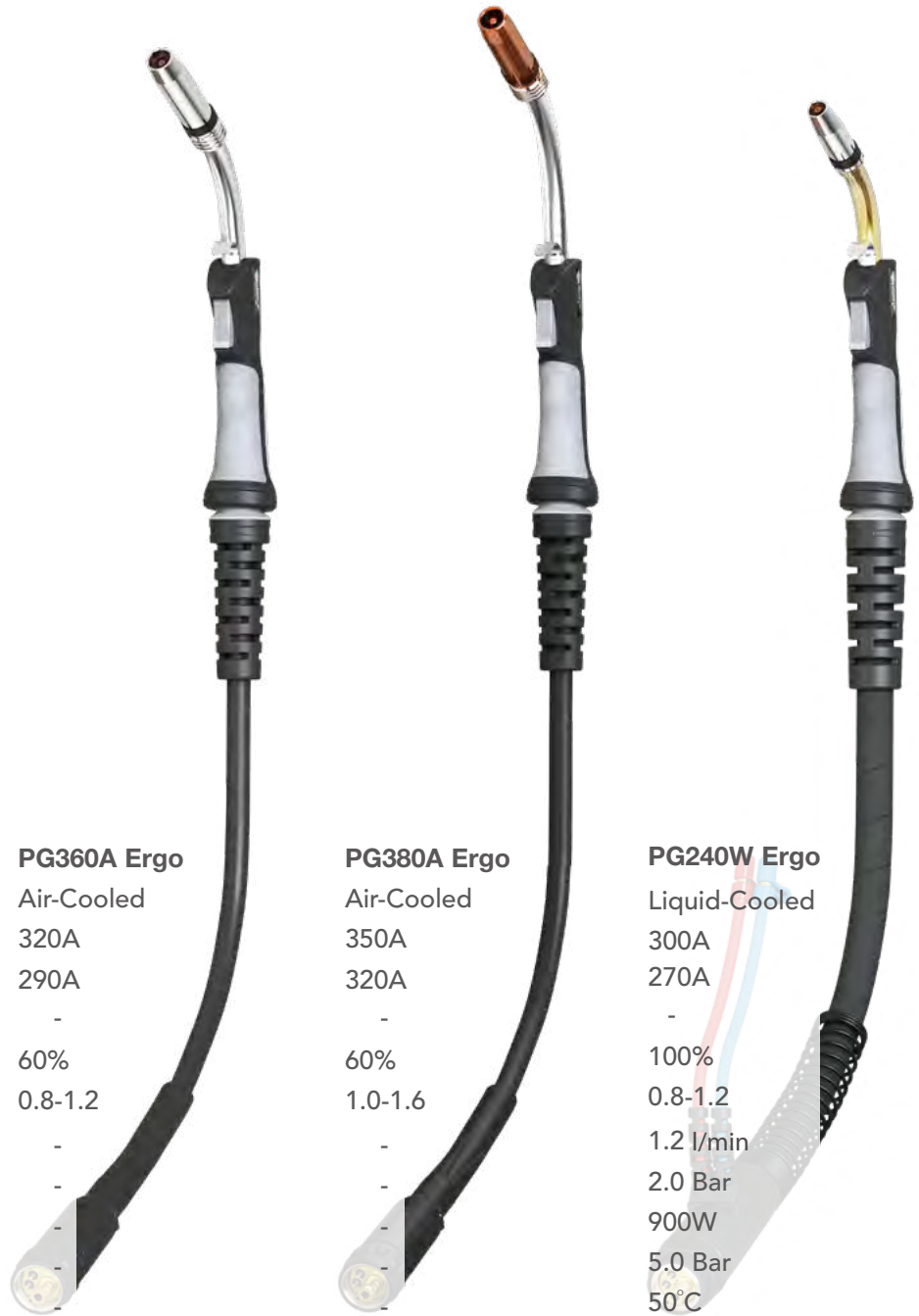
Ratings: 150 Amp to 550 Amp, Mixed Gas^{M21}



| Technical Data | PG150A Ergo | PG240A Ergo | PG250A Ergo |
|---------------------------------|-------------|-------------|-------------|
| Cooling Method | Air-Cooled | Air-Cooled | Air-Cooled |
| Rating: CO ₂ | 180A | 250A | 230A |
| Rating: Mixed Gas M21 | 150A | 220A | 200A |
| Rating: Pulse | - | - | - |
| Duty Cycle: | 60% | 60% | 60% |
| Wire Size: | 0.6-1.0 | 0.8-1.2 | 0.8-1.2 |
| Minimum Water Flow | - | - | - |
| Minimum Water Inlet Pressure | - | - | - |
| Minimum Cooling Requirements | - | - | - |
| Maximum Water Inlet Pressure | - | - | - |
| Maximum Water Inlet Temperature | - | - | - |

| Order Codes | 3mt | UG1500-30ER | UG2400-30ER | UG2500-30ER |
|-------------|-----|-------------|-------------|-------------|
| | 4mt | UG1500-40ER | UG2400-40ER | UG2500-40ER |
| | 5mt | UG1500-50ER | UG2400-50ER | UG2500-50ER |

Standard products can be customized & branded as necessary.



Technical Data

Cooling Method

Rating: CO₂

Rating: Mixed Gas M21

Rating: Pulse

Duty Cycle:

Wire Size:

Minimum Water Flow

Minimum Water Inlet Pressure

Minimum Cooling Requirements

Maximum Water Inlet Pressure

Maximum Water Inlet Temperature

PG360A Ergo

Air-Cooled

320A

290A

-

60%

0.8-1.2

-

-

-

-

-

PG380A Ergo

Air-Cooled

350A

320A

-

60%

1.0-1.6

-

-

-

-

-

PG240W Ergo

Liquid-Cooled

300A

270A

-

100%

0.8-1.2

1.2 l/min

2.0 Bar

900W

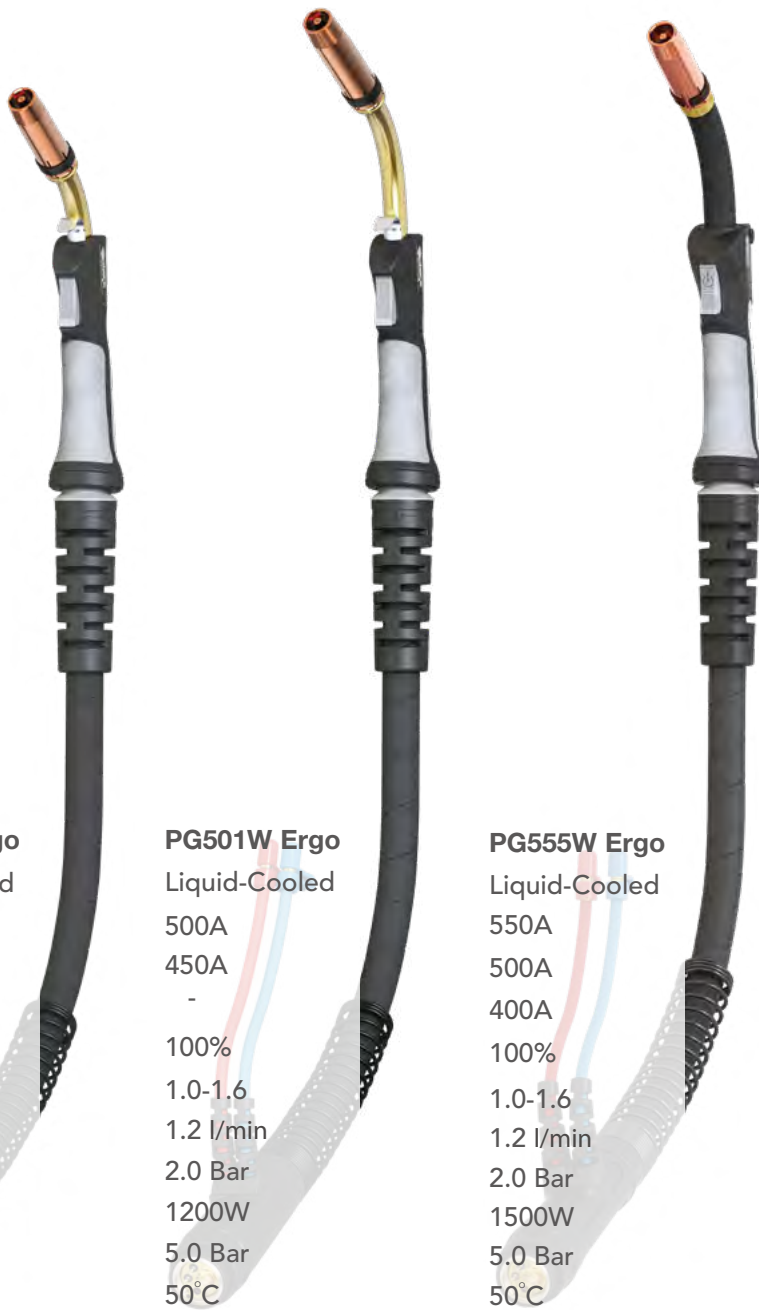
5.0 Bar

50°C

| Order Codes | 3mt | UG3600-30ER | UG3800-30ER | UG2400W-30ER |
|-------------|-----|-------------|-------------|--------------|
| | 4mt | UG3600-40ER | UG3800-40ER | UG2400W-40ER |
| | 5mt | UG3600-50ER | UG3800-50ER | UG2400W-50ER |

BZL Progrip Mig / Mag Torch Series

Ratings: 150 Amp to 550 Amp, Mixed Gas M21



Technical Data

Cooling Method

Rating: CO₂

Rating: Mixed Gas M21

Rating: Pulse

Duty Cycle:

Wire Size:

Minimum Water Flow

Minimum Water Inlet Pressure

Minimum Cooling Requirements

Maximum Water Inlet Pressure

Maximum Water Inlet Temperature

PG401W Ergo

Liquid-Cooled

400A

350A

-

100%

0.8-1.2

1.2 l/min

2.0 Bar

1000W

5.0 Bar

50°C

PG501W Ergo

Liquid-Cooled

500A

450A

-

100%

1.0-1.6

1.2 l/min

2.0 Bar

1200W

5.0 Bar

50°C

PG555W Ergo

Liquid-Cooled

550A

500A

400A

100%

1.0-1.6

1.2 l/min

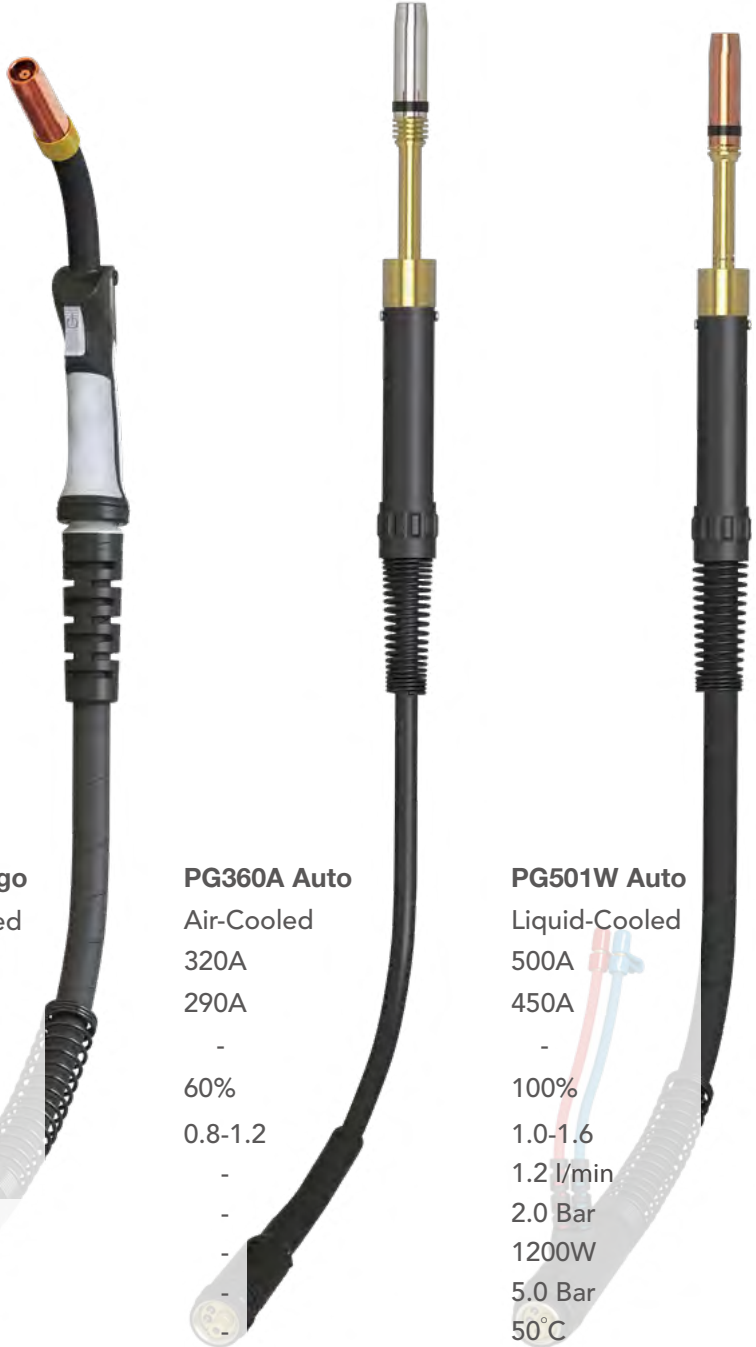
2.0 Bar

1500W

5.0 Bar

50°C

| Order Codes | 3mt | UG4001-30ER | UG5000-30ER | UG5550-30ER |
|-------------|-----|-------------|-------------|-------------|
| | 4mt | UG4001-40ER | UG5000-40ER | UG5550-40ER |
| | 5mt | UG4001-50ER | UG5000-50ER | UG5550-50ER |



Technical Data

Cooling Method
 Rating: CO₂
 Rating: Mixed Gas M21
 Rating: Pulse
 Duty Cycle:
 Wire Size:
 Minimum Water Flow
 Minimum Water Inlet Pressure
 Minimum Cooling Requirements
 Maximum Water Inlet Pressure
 Maximum Water Inlet Temperature

PG605W Ergo

Liquid-Cooled
 600A
 550A
 450A
 100%
 1.0-1.6
 1.2 l/min
 2.0 Bar
 1700W
 5.0 Bar
 50°C

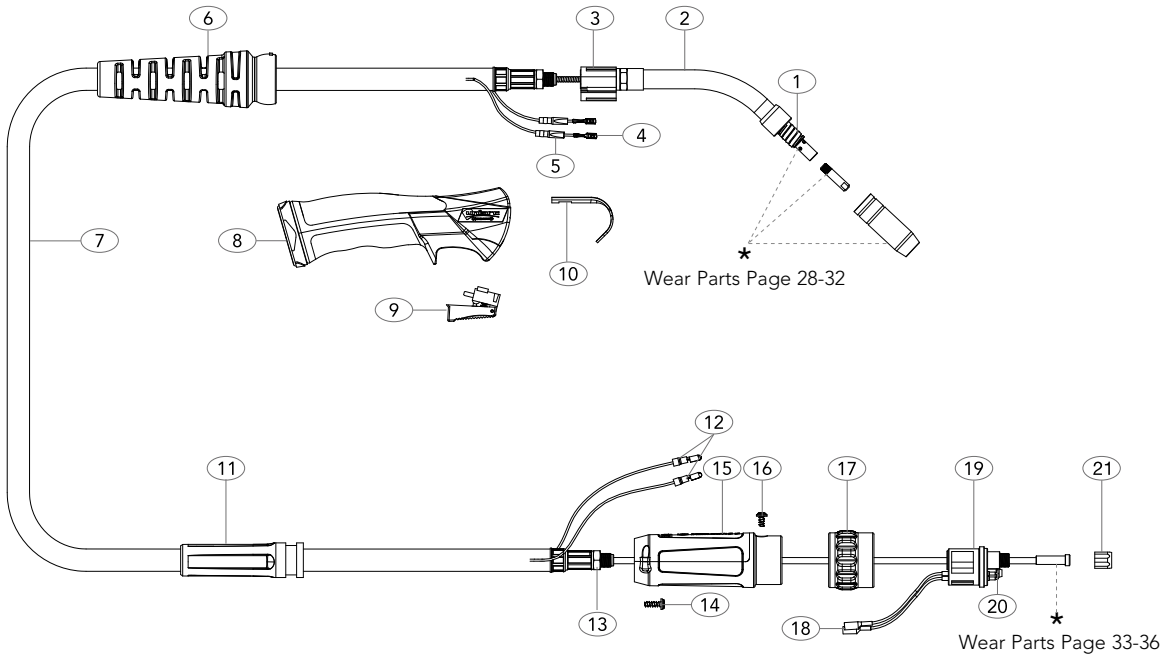
PG360A Auto

Air-Cooled
 320A
 290A
 -
 60%
 0.8-1.2
 -
 -
 -
 -
 -

PG501W Auto

Liquid-Cooled
 500A
 450A
 -
 100%
 1.0-1.6
 1.2 l/min
 2.0 Bar
 1200W
 5.0 Bar
 50°C

| | | | | |
|--------------------|------------|-------------|------------|------------|
| Order Codes | 3mt | UG6050-30ER | UB3600-20A | UB5000-20A |
| | 4mt | UG6050-40ER | UB3600-30A | UB5000-30A |
| | 5mt | UG6050-50ER | UB3600-40A | UB5000-40A |



MODEL

| Description | Part Number | | |
|----------------------------|--------------------|--------------------|--------------------|
| Progrip Ergo Torch Package | 3mt UG1500-30ER | 4mt UG1500-40ER | 5mt UG1500-50ER |

SPARE PARTS

| Part Number | Description | Part Number | Description |
|-------------|--|-------------|---|
| 1 | UB1504 Shroud Spring | 16 | UBL1541 Gun Plug Screw |
| 2 | UB1501 Swan Neck Assembly | 17 | UC1519/P Gun Plug Nut |
| 3 | UG1515 Ergo Handle Location Body | 18 | UB1523 Gun Plug Terminal Female |
| 4 | UB1521 Cable Terminal | 19 | UC1528 Hybrid Gun Plug Body c/w Spring Pins |
| 5 | UB1521-C Cable Terminal Cover | 20 | UB1524 Gun Plug 'O' Ring |
| 6 | UG8015 Handle Cable Support c/w Ball Joint | 21 | UB1525 Liner Nut |
| 7 | UB1517-30 Duraflex Cable Assembly x 3mt | | |
| | UB1517-40 Duraflex Cable Assembly x 4mt | | |
| | UB1517-50 Duraflex Cable Assembly x 5mt | | |
| 8 | UG2514 Ergo Handle Kit c/w Lock Nut | | |
| 9 | UG2516 Medium / Large Ergo Trigger | | |
| 10 | UB2517 Hanger Hook (Optional Extra) | | |
| 11 | UC2841 Cable Support | | |
| 12 | UB1522 Cable Terminal Male | | |
| 13 | UB1505 Lock Nut | | |
| 14 | SCSP1-1 Gun Plug Housing Screw | | |
| 15 | SC2578/S Gun Plug Housing c/w Nut | | |

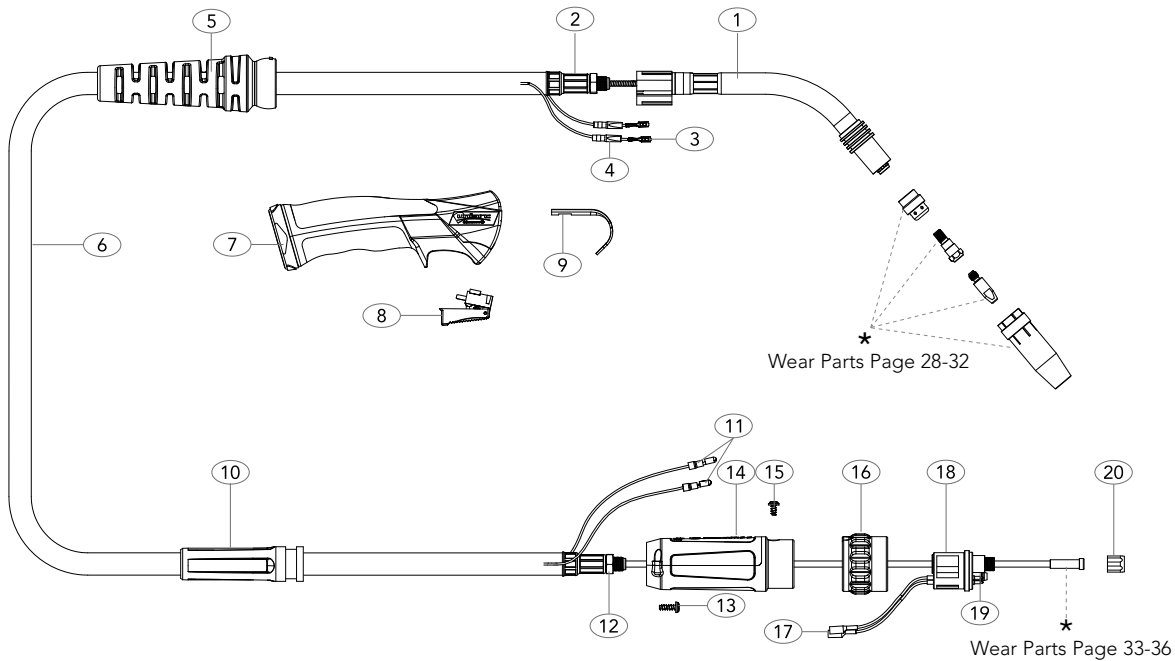
Standard products can be fully customized and branded

All products conform to EN60974-7, **CE** and are RoHS2, REACH and WEEE compliant



PG240A Air-Cooled MIG Welding Torch

Rating: 250A CO₂, 220A mixed gas M21, EN60974-7 @ 60% duty cycle. 0.8 to 1.2mm wires



MODEL

| Description | Part Number | | |
|----------------------------|--------------------|--------------------|--------------------|
| Progrip Ergo Torch Package | 3mt UG2400-30ER | 4mt UG2400-40ER | 5mt UG2400-50ER |

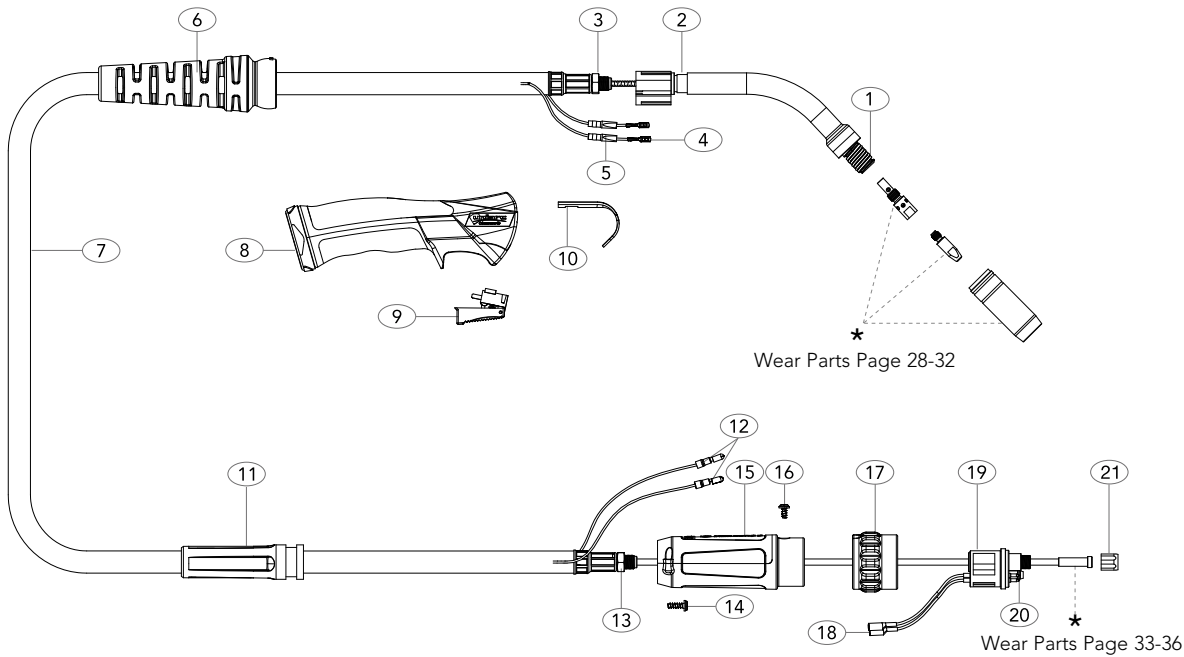
SPARE PARTS

| Part Number | Description | Part Number | Description |
|-------------|---|-------------|---|
| 1 | UG2401 Swan Neck Assembly | 16 | UC1519/S Gun Plug Nut |
| 2 | UG1515 Ergo Handle Location Body | 17 | UB1523 Gun Plug Terminal Female |
| 3 | UB1521 Cable Terminal | 18 | UC1528 Hybrid Gun Plug Body c/w Spring Pins |
| 4 | UB1521-C Cable Terminal Cover | 19 | UB1524 Gun Plug 'O' Ring |
| 5 | UG8015 Handle Cable Support c/w Ball Joint | 20 | UB1525 Liner Nut |
| 6 | UB2603-30 Duraflex Cable Assembly x 3mt UB2603-40 Duraflex Cable Assembly x 4mt UB2603-50 Duraflex Cable Assembly x 5mt | | |
| 7 | UG2514 Ergo Handle Kit c/w Lock Nut | | |
| 8 | UG2516 Medium / Large Ergo Trigger | | |
| 9 | UB2517 Hanger Hook (Optional Extra) | | |
| 10 | UC2841 Cable Support | | |
| 11 | UB1522 Cable Terminal Male | | |
| 12 | UB1505 Lock Nut | | |
| 13 | SCSP1-1 Gun Plug Housing Screw | | |
| 14 | SC2578/S Gun Plug Housing c/w Nut | | |
| 15 | UBL1541 Gun Plug Screw | | |

Standard products can be fully customized and branded



All products conform to EN60974-7, **CE** and are RoHS2, REACH and WEEE compliant



MODEL

| Description | Part Number | | |
|----------------------------|--------------------|--------------------|--------------------|
| Progrip Ergo Torch Package | 3mt UG2500-30ER | 4mt UG2500-40ER | 5mt UG2500-50ER |

SPARE PARTS

| Part Number | Description | Part Number | Description |
|-------------|--|-------------|---|
| 1 | UB2502 Shroud Spring | 16 | UBL1541 Gun Plug Screw |
| 2 | UG2501 Swan Neck Assembly | 17 | UC1519/S Gun Plug Nut |
| 3 | UG1515 Ergo Handle Location Body | 18 | UB1523 Gun Plug Terminal Female |
| 4 | UB1521 Cable Terminal | 19 | UC1528 Hybrid Gun Plug Body c/w Spring Pins |
| 5 | UB1521-C Cable Terminal Cover | 20 | UB1524 Gun Plug 'O' Ring |
| 6 | UG8015 Handle Cable Support c/w Ball Joint | 21 | UB1525 Liner Nut |
| 7 | UB2503-30 Duraflex Cable Assembly x 3mt | | |
| | UB2503-40 Duraflex Cable Assembly x 4mt | | |
| | UB2503-50 Duraflex Cable Assembly x 5mt | | |
| 8 | UG2514 Ergo Handle Kit c/w Lock Nut | | |
| 9 | UG2516 Medium / Large Ergo Trigger | | |
| 10 | UB2517 Hanger Hook (Optional Extra) | | |
| 11 | UC2841 Cable Support | | |
| 12 | UB1522 Cable Terminal Male | | |
| 13 | UB1505 Lock Nut | | |
| 14 | SCSP1-1 Gun Plug Housing Screw | | |
| 15 | SC2578/S Gun Plug Housing c/w Nut | | |

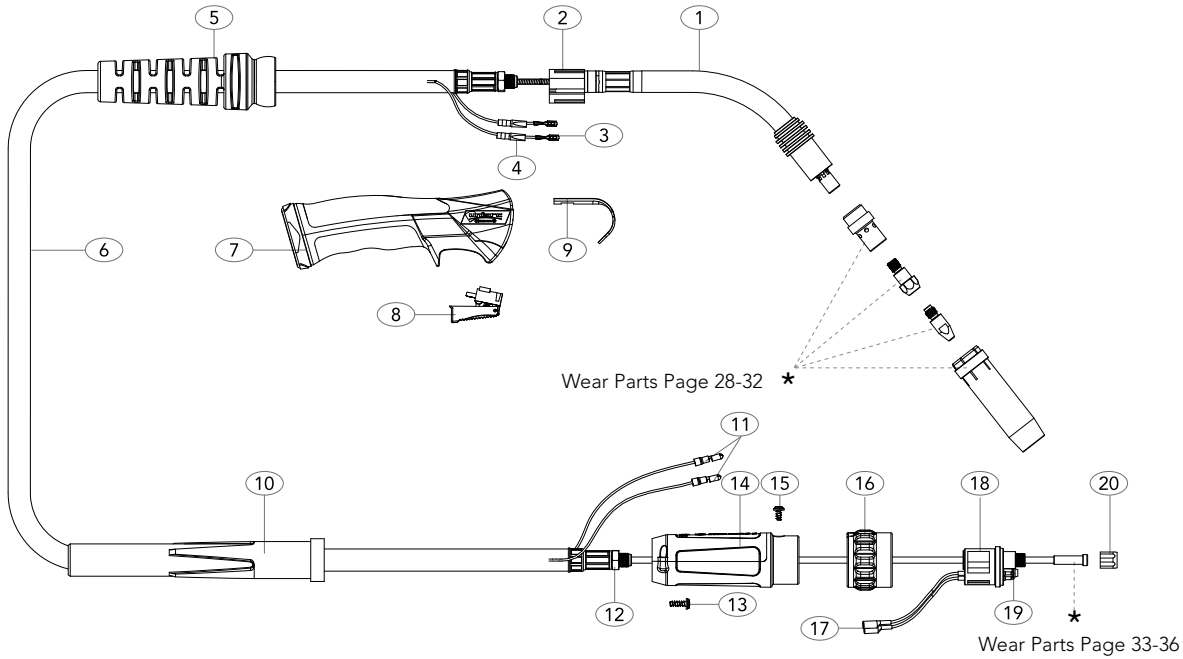
Standard products can be fully customized and branded

All products conform to EN60974-7, **CE** and are RoHS2, REACH and WEEE compliant



PG360A Air-Cooled MIG Welding Torch

Rating: 320A CO₂, 290A mixed gas M21, EN60974-7 @ 60% duty cycle. 0.8 to 1.2mm wires



MODEL

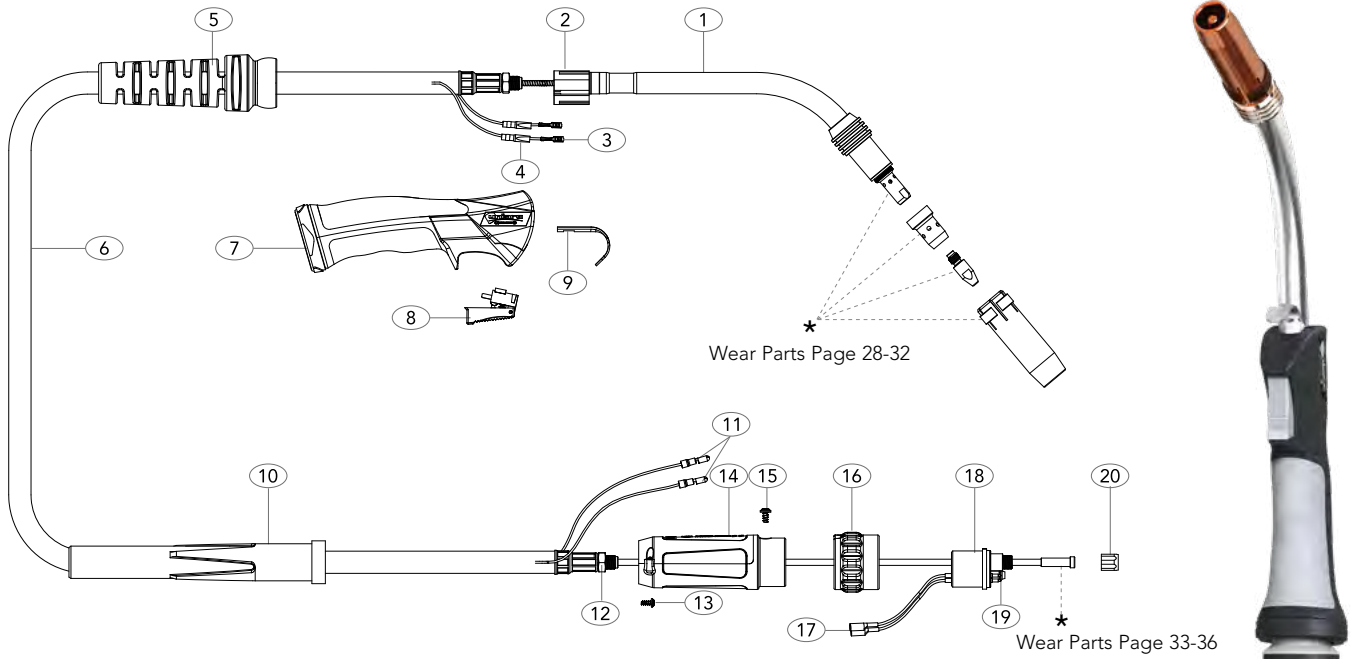
| Description | Part Number | | |
|----------------------------|--------------------|--------------------|--------------------|
| Progrip Ergo Torch Package | 3mt UG3600-30ER | 4mt UG3600-40ER | 5mt UG3600-50ER |

SPARE PARTS

| Part Number | Description | Part Number | Description |
|-------------|---|-------------|---|
| 1 | UG3603 Swan Neck Assembly | 16 | UC1519/S Gun Plug Nut |
| 2 | UG1515 Ergo Handle Location Body | 17 | UB1523 Gun Plug Terminal Female |
| 3 | UB1521 Cable Terminal | 18 | UC1528 Hybrid Gun Plug Body c/w Spring Pins |
| 4 | UB1521-C Cable Terminal Cover | 19 | UB1524 Gun Plug 'O' Ring |
| 5 | UG8016 Handle Cable Support c/w Ball Joint | 20 | UB1525 Liner Nut |
| 6 | UB3609-30 Duraflex Cable Assembly x 3mt UB3609-40 Duraflex Cable Assembly x 4mt UB3609-50 Duraflex Cable Assembly x 5mt | | |
| 7 | UG2514 Ergo Handle Kit c/w Lock Nut | | |
| 8 | UG2516 Medium / Large Ergo Trigger | | |
| 9 | UB2517 Hanger Hook (Optional Extra) | | |
| 10 | UPA3541 Cable Support | | |
| 11 | UB1522 Cable Terminal Male | | |
| 12 | UB1505 Lock Nut | | |
| 13 | SCSP1-1 Gun Plug Housing Screw | | |
| 14 | SC2578/S Gun Plug Housing c/w Nut | | |
| 15 | UBL1541 Gun Plug Screw | | |

Standard products can be fully customized and branded

All products conform to EN60974-7, **CE** and are RoHS2, REACH and WEEE compliant



MODEL

| Description | Part Number | | |
|----------------------------|--------------------|--------------------|--------------------|
| Progrip Ergo Torch Package | 3mt UG3800-30ER | 4mt UG3800-40ER | 5mt UG3800-50ER |

SPARE PARTS

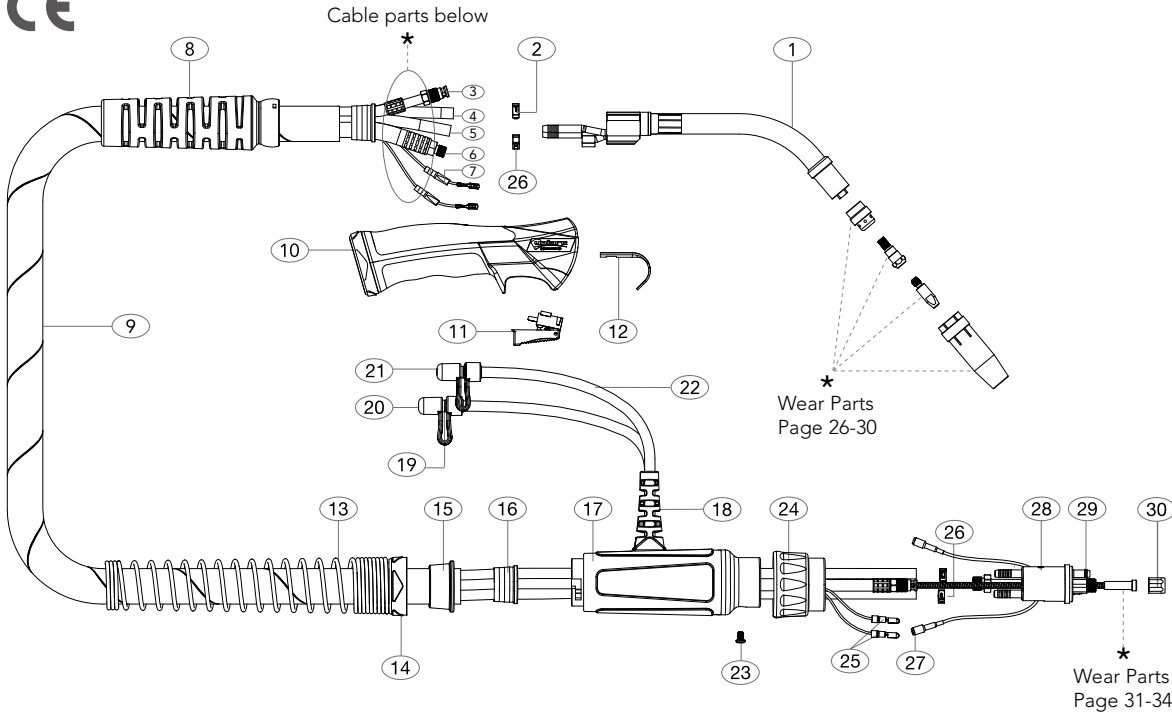
| Part Number | Description | Part Number | Description | | |
|-------------|-------------|-------------------------------------|-------------|----------|-------------------------------|
| 1 | UG3801 | Swan Neck Assembly | 16 | UC1519/S | Gun Plug Nut |
| 2 | UG1515 | Ergo Handle Location Body | 17 | UB1523 | Gun Plug Terminal Female |
| 3 | UB1521 | Cable Terminal | 18 | UB1528 | Gun Plug Body c/w Spring Pins |
| 4 | UB1521-C | Cable Terminal Cover | 19 | UB1524 | Gun Plug 'O' Ring |
| 5 | UG8016 | Handle Cable Support c/w Ball Joint | 20 | UB1525 | Liner Nut |
| 6 | UB3809-30 | Duraflex Cable Assembly x 3mt | | | |
| | UB3809-40 | Duraflex Cable Assembly x 4mt | | | |
| | UB3809-50 | Duraflex Cable Assembly x 5mt | | | |
| 7 | UG2514 | Ergo Handle Kit c/w Lock Nut | | | |
| 8 | UG2516 | Medium/Large Ergo Trigger | | | |
| 9 | UB2517 | Hanger Hook (Optional Extra) | | | |
| 10 | UPA3541 | Cable Support | | | |
| 11 | UB1522 | Cable Terminal Male | | | |
| 12 | UB1505 | Lock Nut | | | |
| 13 | SCSP1-1 | Gun Plug Housing Screw | | | |
| 14 | SC2578/L | Gun Plug Housing c/w Nut | | | |
| 15 | UB1526 | Gun Plug Screw | | | |

Standard products can be fully customized and branded

All products conform to EN60974-7, **CE** and are RoHS2, REACH and WEEE compliant

PG240W Liquid-Cooled MIG Welding Torch

Rating: 300A CO₂, 270A mixed gas M21, EN60974-7 @ 100% duty cycle. 0.8 to 1.2mm wires



MODEL

| Description | Part Number | | |
|----------------------------|--------------|--------------|--------------|
| Progrip Ergo Torch Package | 3mt | 4mt | 5mt |
| | UG2400W-30ER | UG2400W-40ER | UG2400W-50ER |

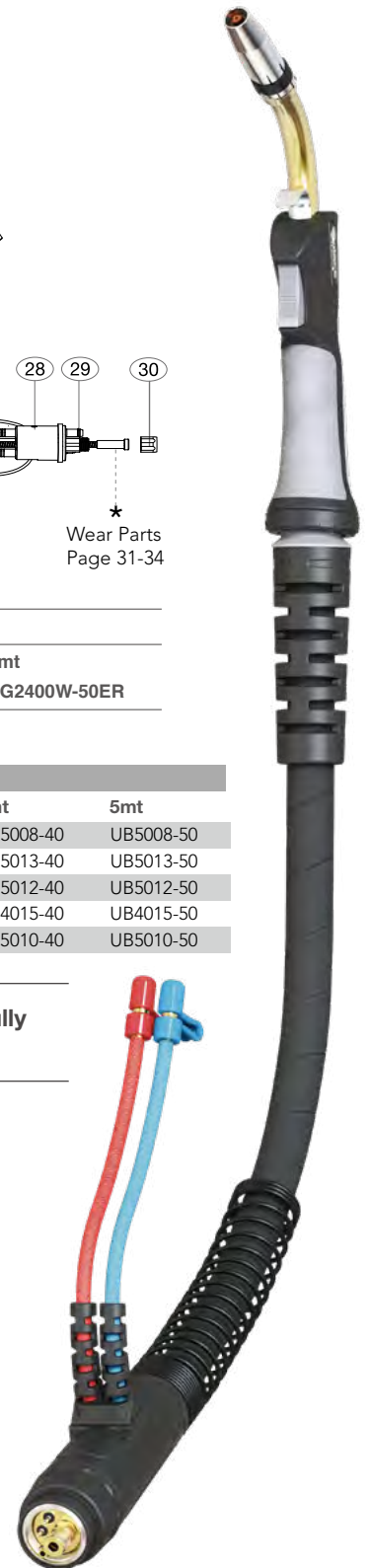
SPARE PARTS

| Part Number | Description |
|-------------|--|
| 1 | UG2409 Swan Neck |
| 2 | 15400020 Hose Clamp 8.7mm |
| 8 | UG3208 Handle Cable Support c/w Ball Joint |
| 9 | UG4006-30 Cable Assembly x 3mt |
| | UG4006-40 Cable Assembly x 4mt |
| | UG4006-50 Cable Assembly x 5mt |
| 10 | UG2514 Ergo Handle Kit c/w Lock Nut |
| 11 | UG2516 Medium / Large Trigger |
| 12 | UB2517 Hanger Hook (Optional Extra) |
| 13 | UC8027 Housing Spring |
| 14 | UT8028 Spring Cable Support Nut |
| 15 | UT8009 Canvas Cover Clamp |
| 16 | UG8010 Canvas Cover Retainer |
| 17 | UT5022 Gun Plug Housing Assembly |
| 18 | USLH1820-S Inlet/Outlet Hose Support |
| 19 | UB5023A Water Hose Nipple |
| 20 | UBD-80310 Blue Cap Stopper |
| 21 | UBD-80320 Red Cap Stopper |
| 22 | UB5017 Water Outlet Hose |
| 23 | UB1526 Gun Plug Screw |
| 24 | UB1519/S Gun Plug Nut |
| 25 | UB1522 Cable Terminal Male |
| 26 | 15400023 Water Hose Clamp 10.0mm |
| 27 | UB1523 Gun Plug Terminal Female |
| 28 | UB5098 Gun Plug Body c/w Spring Pins |
| 29 | UB1524 Gun Plug 'O' Ring |
| 30 | UB1525 Liner Nut |

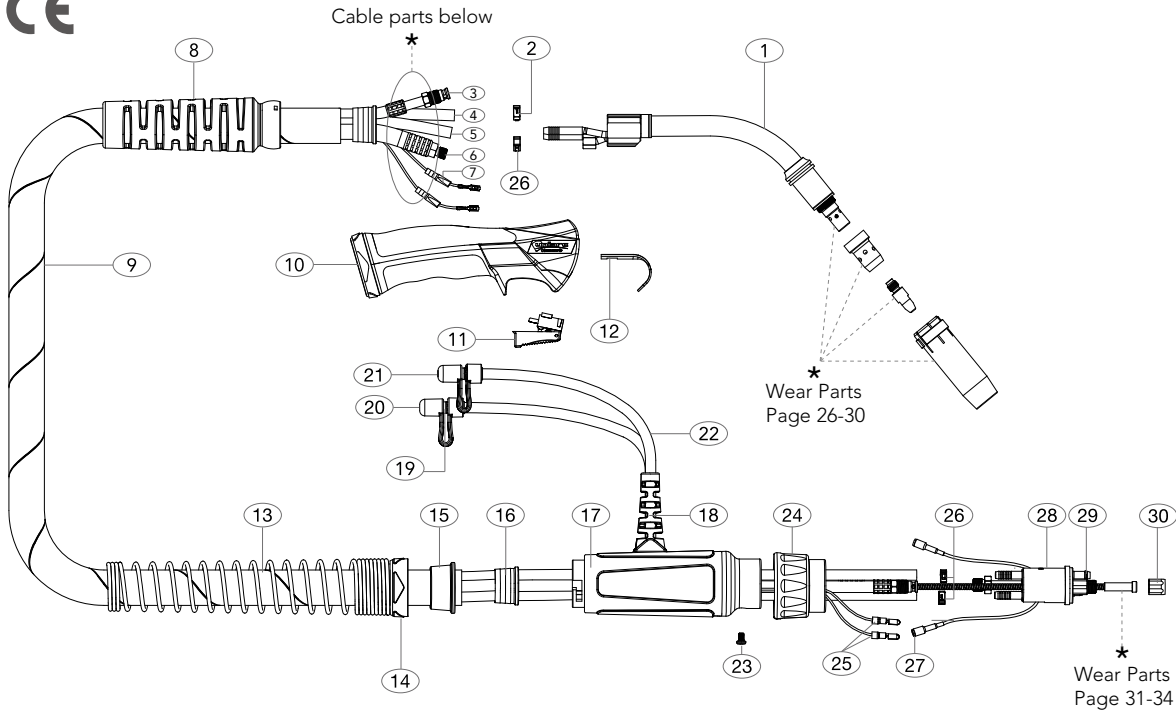
CABLE PARTS

| Description | Part Number | | | |
|-------------|---------------------------|-----------|-----------|-----------|
| | 3mt | 4mt | 5mt | |
| 3 | Outer Liner Assembly | UC5008-30 | UB5008-40 | UB5008-50 |
| 4 | Gas Hose Assembly | UB5013-30 | UB5013-40 | UB5013-50 |
| 5 | Water Inlet Hose Assembly | UB5012-30 | UB5012-40 | UB5012-50 |
| 6 | Power Cable Assembly | UB4015-30 | UB4015-40 | UB4015-50 |
| 7 | Switch Lead Assembly | UB5010-30 | UB5010-40 | UB5010-50 |

Standard products can be fully customized and branded



All products conform to EN60974-7, CE and are RoHS2, REACH and WEEE compliant



MODEL

| Description | Part Number | | |
|----------------------------|-------------|-------------|-------------|
| | 3mt | 4mt | 5mt |
| Progrip Ergo Torch Package | UG4001-30ER | UG4001-40ER | UG4001-50ER |

SPARE PARTS

| Part Number | Description |
|-------------|--|
| 1 | UG4011 Swan Neck |
| 2 | 15400020 Hose Clamp 8.7mm |
| 8 | UG3208 Handle Cable Support c/w Ball Joint |
| 9 | UG4006-30 Cable Assembly x 3mt UG4006-40 Cable Assembly x 4mt UG4006-50 Cable Assembly x 5mt |
| 10 | UG2514 Ergo Handle Kit c/w Lock Nut |
| 11 | UG2516 Medium / Large Trigger |
| 12 | UB2517 Hanger Hook (Optional Extra) |
| 13 | UC8027 Housing Spring |
| 14 | UT8028 Spring Cable Support Nut |
| 15 | UT8009 Canvas Cover Clamp |
| 16 | UT8010 Canvas Cover Retainer |
| 17 | UT5022 Gun Plug Housing Assembly |
| 18 | USLH1820-S Inlet/Outlet Hose Support |
| 19 | UB5023A Water Hose Nipple |
| 20 | UBD-80310 Blue Cap Stopper |
| 21 | UBD-80320 Red Cap Stopper |
| 22 | UB5017 Water Outlet Hose |
| 23 | UB1526 Gun Plug Screw |
| 24 | UB1519/S Gun Plug Nut |
| 25 | UB1522 Cable Terminal Male |
| 26 | 15400023 Water Hose Clamp 10.0mm |
| 27 | UB1523 Gun Plug Terminal Female |
| 28 | UB5098 Gun Plug Body c/w Spring Pins |
| 29 | UB1524 Gun Plug 'O' Ring |
| 30 | UB1525 Liner Nut |

CABLE PARTS

| Description | Part Number | | | |
|-------------|---------------------------|-----------|-----------|-----------|
| | 3mt | 4mt | 5mt | |
| 3 | Outer Liner Assembly | UC5008-30 | UC5008-40 | UC5008-50 |
| 4 | Gas Hose Assembly | UB5013-30 | UB5013-40 | UB5013-50 |
| 5 | Water Inlet Hose Assembly | UB5012-30 | UB5012-40 | UB5012-50 |
| 6 | Power Cable Assembly | UB4015-30 | UB4015-40 | UB4015-50 |
| 7 | Switch Lead Assembly | UB5010-30 | UB5010-40 | UB5010-50 |

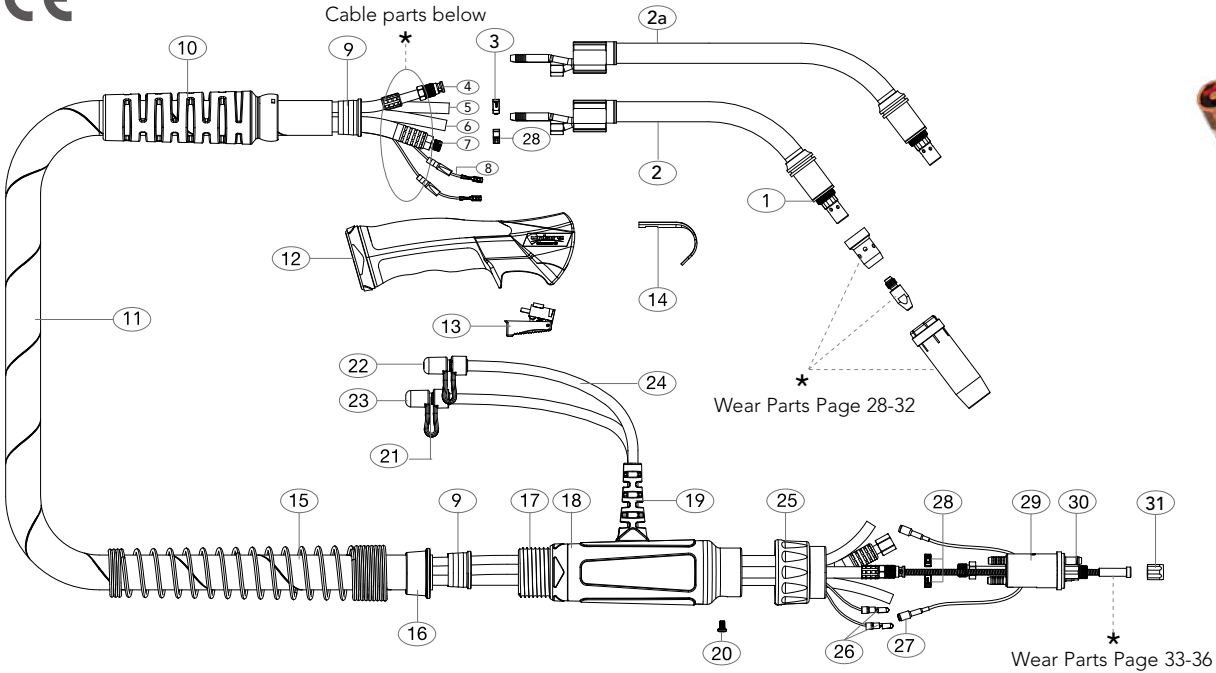
Standard products can be fully customized and branded



All products conform to EN60974-7, CE and are RoHS2, REACH and WEEE compliant

PG501W Liquid-Cooled MIG Welding Torch

Rating: 500A CO₂ 450A mixed gas M21, EN60974-7 @ 100% duty cycle. 1.0 to 1.6mm wires



MODEL

| Description | Part Number | | |
|----------------------------|--------------|--------------|--------------|
| | 3mt | 4mt | 5mt |
| Progrip Ergo Torch Package | UG5000-30ER | UG5000-40ER | UG5000-50ER |
| | UG5000L-30ER | UG5000L-40ER | UG5000L-50ER |

SPARE PARTS

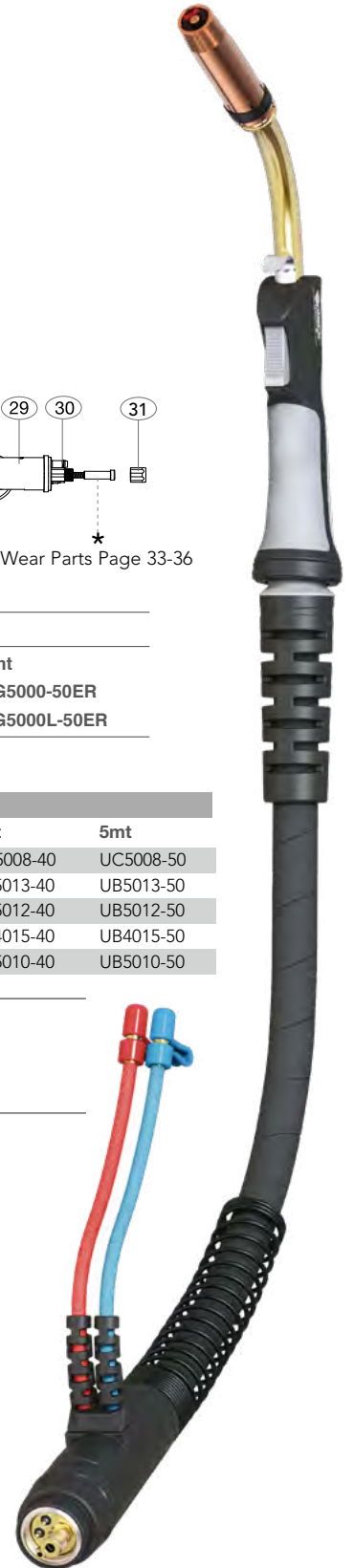
| Part Number | Description |
|-------------|--|
| 1 | UB5003 Insulating Washer |
| 2 | UG5002 Swan Neck Assembly |
| 2a | UG5002L Swan Neck Assembly Long |
| 3 | 15400020 Hose Clamp 8.7mm |
| 9 | UG8010 Canvas Cover Retainer Small |
| 10 | UG3208 Handle Cable Support c/w Ball Joint |
| 11 | UG5006-30 Cable Assembly x 3mt |
| | UG5006-40 Cable Assembly x 4mt |
| | UG5006-50 Cable Assembly x 5mt |
| 12 | UG2514 Ergo Handle Kit c/w Lock Nut |
| 13 | UG2516 Medium / Large Ergo Trigger |
| 14 | UB2517 Hanger Hook (Optional Extra) |
| 15 | UC8027 Housing Spring |
| 16 | UT8009 Canvas Cover Clamp |
| 17 | UT8028 Spring Cable Support Nut |
| 18 | UT5022 Gun Plug Housing Assembly |
| 19 | USLH1820-S Inlet/Outlet Hose Support |
| 20 | UB1526 Gun Plug Screw |
| 21 | UB5023A Water Hose Nipple |
| 22 | UBD-80310 Blue Cap Stopper |
| 23 | UBD-80320 Red Cap Stopper |
| 24 | UB5017 Water Outlet Hose O/Braid |
| 25 | UB1519/S Gun Plug Nut |
| 26 | UB1522 Cable Terminal Male |
| 27 | UB1523 Gun Plug Terminal Female |
| 28 | 15400023 Hose Clamp 10.0mm |
| 29 | UB5098 Gun Plug Body c/w Spring Pins |
| 30 | UB1524 Gun Plug 'O' Ring |
| 31 | UB1525 Liner Nut |

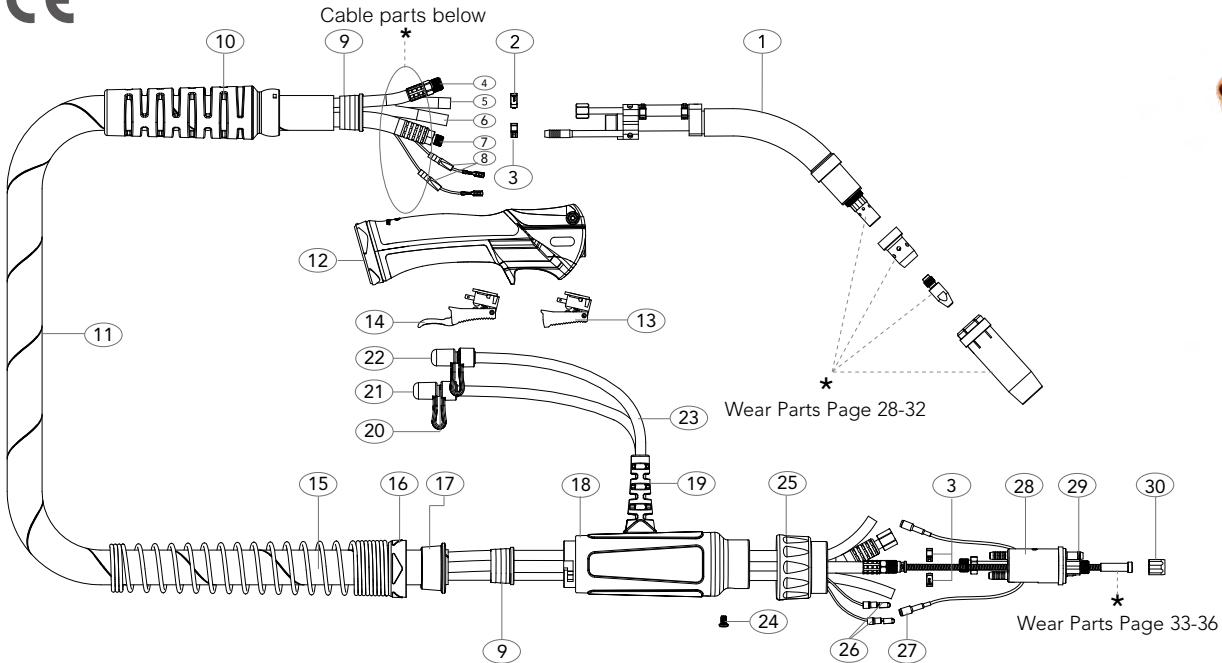
CABLE PARTS

| Description | Part Number | | |
|-------------|-------------|-----------|-----------|
| | 3mt | 4mt | 5mt |
| 4 | UC5008-30 | UC5008-40 | UC5008-50 |
| 5 | UB5013-30 | UB5013-40 | UB5013-50 |
| 6 | UB5012-30 | UB5012-40 | UB5012-50 |
| 7 | UB4015-30 | UB4015-40 | UB4015-50 |
| 8 | UB5010-30 | UB5010-40 | UB5010-50 |

Standard products can be fully customized and branded

All products conform to EN60974-7, CE and are RoHS2, REACH and WEEE compliant





MODEL

| Description | Part Number | | |
|----------------------------|--------------------|--------------------|--------------------|
| Progrip Ergo Torch Package | 3mt UG5550-30ER | 4mt UG5550-40ER | 5mt UG5550-50ER |

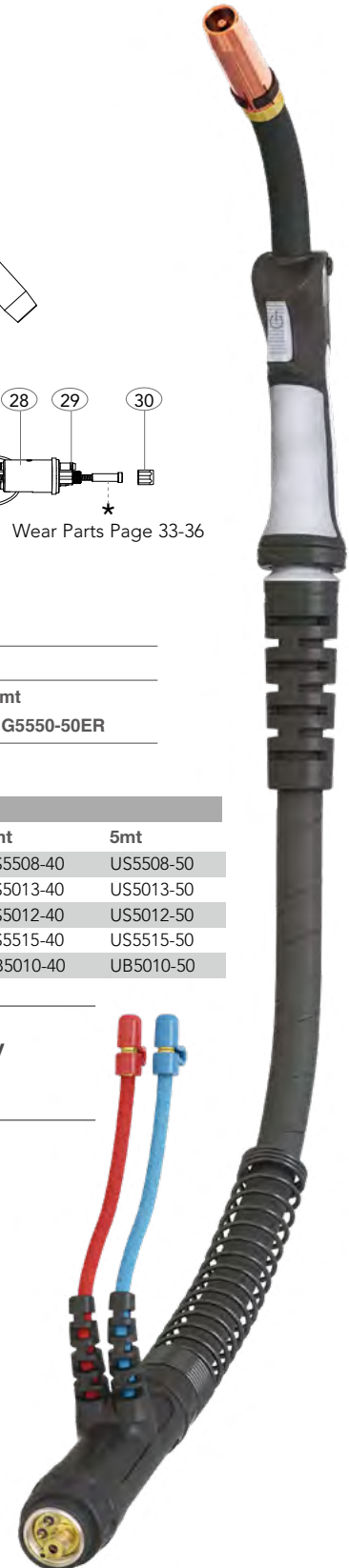
SPARE PARTS

| Part Number | Description |
|-------------|--|
| 1 | UB5502 Swan Neck Assembly |
| 2 | 15400020 Hose Clamp 8.7mm |
| 3 | 15400023 Hose Clamp 10.0mm |
| 9 | UG8010 Canvas Cover Retainer |
| 10 | UG3208 Handle Cable Support c/w Ball Joint |
| 11 | UG5506-30 Cable Assembly x 3mt |
| | UB5506-40 Cable Assembly x 4mt |
| | UB5506-50 Cable Assembly x 5mt |
| 12 | UG2515 Handle Assembly |
| 13 | UGH2516 Medium / Large Ergo Trigger |
| 14 | UGH2516L Extended Trigger Assembly |
| 15 | UC8027 Housing Spring |
| 16 | UT8028 Spring Cable Support Nut |
| 17 | UT8009 Canvas Cover Clamp |
| 18 | UT5022 Gun Plug Housing Assembly |
| 19 | USLH1820-S Inlet/Outlet Hose Support |
| 20 | UB5023A Water Hose Nipple |
| 21 | UBD-80310 Blue Cap Stopper |
| 22 | UBD-80320 Red Cap Stopper |
| 23 | UB5017 Water Outlet Hose O/Braid |
| 24 | UB1526 Gun Plug Screw |
| 25 | UB1519/S Gun Plug Nut |
| 26 | UB1522 Cable Terminal Male |
| 27 | UB1523 Gun Plug Terminal Female |
| 28 | UB5098 Gun Plug Body c/w Spring Pins |
| 29 | UB1524 Gun Plug 'O' Ring |
| 30 | UB1525 Liner Nut |

CABLE PARTS

| Description | Part Number | | | |
|-------------|---------------------------|-----------|-----------|-----------|
| | 3mt | 4mt | 5mt | |
| 4 | Outer Liner Assembly | US5508-30 | US5508-40 | US5508-50 |
| 5 | Gas Hose Assembly | US5013-30 | US5013-40 | US5013-50 |
| 6 | Water Inlet Hose Assembly | US5012-30 | US5012-40 | US5012-50 |
| 7 | Power Cable Assembly | US5515-30 | US5515-40 | US5515-50 |
| 8 | Switch Lead Assembly | UB5010-30 | UB5010-40 | UB5010-50 |

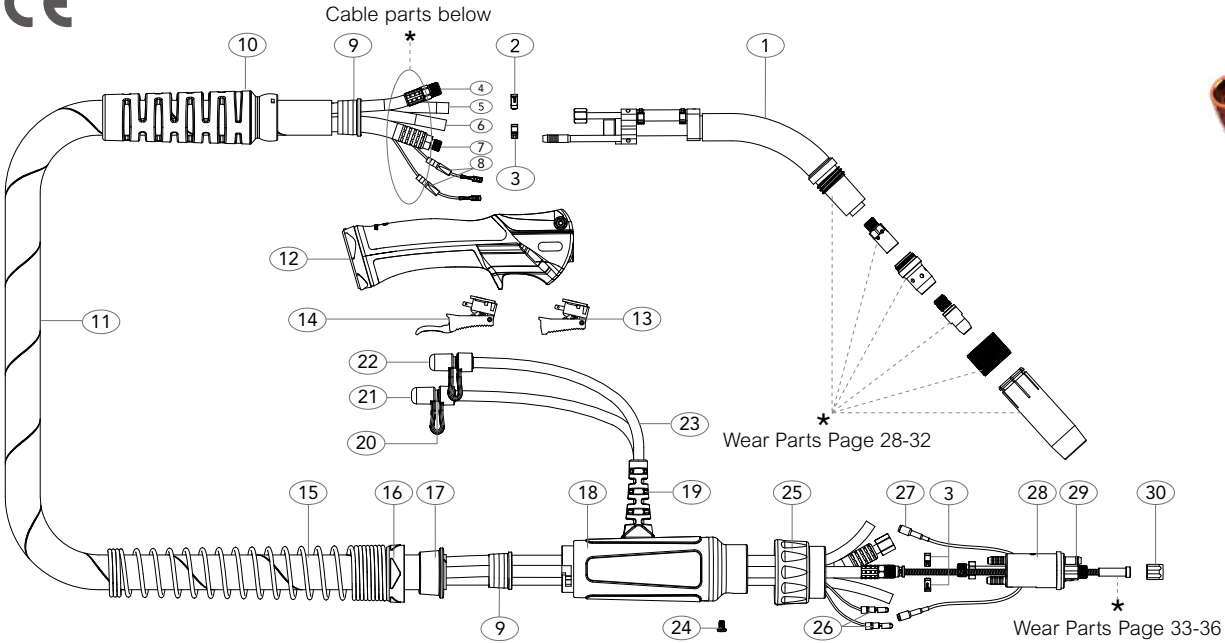
Standard products can be fully customized and branded



All products conform to EN60974-7, CE and are RoHS2, REACH and WEEE compliant

PG605W Liquid-Cooled MIG Welding Torch

Rating: 600A CO₂, 550A mixed gas M21, 450A Pulse EN60974-7 @ 100% duty cycle. 1.0 to 1.6mm wires



MODEL

| Description | Part Number | | |
|----------------------------|--------------------|--------------------|--------------------|
| Progrip Ergo Torch Package | 3mt UG6050-30ER | 4mt UG6050-40ER | 5mt UG6050-50ER |

SPARE PARTS

| Part Number | Description |
|-------------|--|
| 1 | UB6502 Swan Neck Assembly |
| 2 | 15400020 Hose Clamp 8.7mm |
| 3 | 15400023 Hose Clamp 10.0mm |
| 9 | UG8010 Canvas Cover Retainer |
| 10 | UG3208 Handle Cable Support c/w Ball Joint |
| 11 | UG5506-30 Cable Assembly x 3mt |
| | UG5506-40 Cable Assembly x 4mt |
| | UG5506-50 Cable Assembly x 5mt |
| 12 | UG2515 Handle Assembly |
| 13 | UGH2516 Medium/Large Ergo Trigger |
| 14 | UGH2516L Extended Trigger Assembly |
| 15 | UC8027 Housing Spring |
| 16 | UT8028 Spring Cable Support Nut |
| 17 | UB8009 Canvas Cover Clamp |
| 18 | UP5022 Gun Plug Housing Assembly |
| 19 | USLH1820-S Inlet/Outlet Hose Support |
| 20 | UB5023A Water Hose Nipple |
| 21 | UBD-80310 Blue Cap Stopper |
| 22 | UBD-80320 Red Cap Stopper |
| 23 | UB5017 Water Outlet Hose O/Braid |
| 24 | UB1526 Gun Plug Screw |
| 25 | UB1519/S Gun Plug Nut |
| 26 | UB1522 Cable Terminal Male |
| 27 | UB1523 Gun Plug Terminal Female |
| 28 | UB5098 Gun Plug Body c/w Spring Pins |
| 29 | UB1524 Gun Plug 'O' Ring |
| 30 | UB1525 Liner Nut |

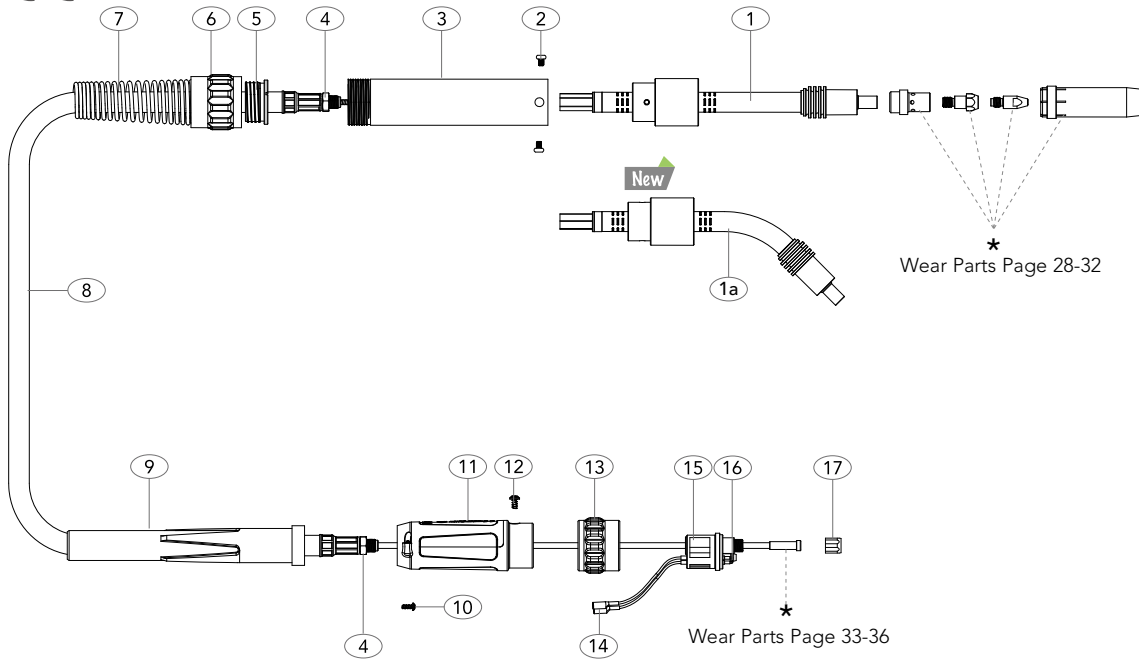
CABLE PARTS

| Description | Part Number | | | |
|-------------|---------------------------|-----------|-----------|-----------|
| | 3mt | 4mt | 5mt | |
| 4 | Outer Liner Assembly | US5508-30 | US5508-40 | US5508-50 |
| 5 | Gas Hose Assembly | US5013-30 | US5013-40 | US5013-50 |
| 6 | Water Inlet Hose Assembly | US5012-30 | US5012-40 | US5012-50 |
| 7 | Power Cable Assembly | US5515-30 | US5515-40 | US5515-50 |
| 8 | Switch Lead Assembly | UB5010-30 | UB5010-40 | UB5010-50 |

Standard products can be fully customized and branded



All products conform to EN60974-7, CE and are RoHS2, REACH and WEEE compliant



MODEL

| Description | Part Number | | |
|--------------------|----------------------------|----------------------------|----------------------------|
| Classic Auto Torch | 2mt | 3mt | 4mt |
| | UB3600-20A UB3600-20A45 | UB3600-30A UB3600-30A45 | UB3600-40A UB3600-40A45 |

SPARE PARTS

| Part Number | Description | Part Number | Description |
|-------------|---|-------------|--------------------------|
| 1 | UB3627 Swan Neck Assembly | 16 | UB1524 Gun Plug 'O' Ring |
| 2 | UB3645A Swan Neck Assembly 45° | 17 | UB1525 Liner Nut |
| 2a | UB3629 Handle Screw | | |
| 3 | UB3630 Automatic Handle | | |
| 4 | UB1505 Lock Nut | | |
| 5 | UB8110A Auto Handle Insert | | |
| 6 | UB8030A Auto Handle Lock Nut | | |
| 7 | MIG8017A Auto Handle Spring | | |
| 8 | UB3609-20A Duraflex Cable Assembly x 2mt | | |
| 9 | UB3609-30A Duraflex Cable Assembly x 3mt | | |
| | UB3609-40A Duraflex Cable Assembly x 4mt | | |
| | UPA3541 Cable Support | | |
| 10 | SCSP1-1 Gun Plug Housing Screw | | |
| 11 | SC2578/L Gun Plug Housing | | |
| 12 | UBL1541 Gun Plug Screw | | |
| 13 | UC1519/S Gun Plug Nut | | |
| 14 | UB1523 Gun Plug Terminal Female | | |
| 15 | UC1528 Hybrid Gun Plug Body c/w Spring Pins | | |

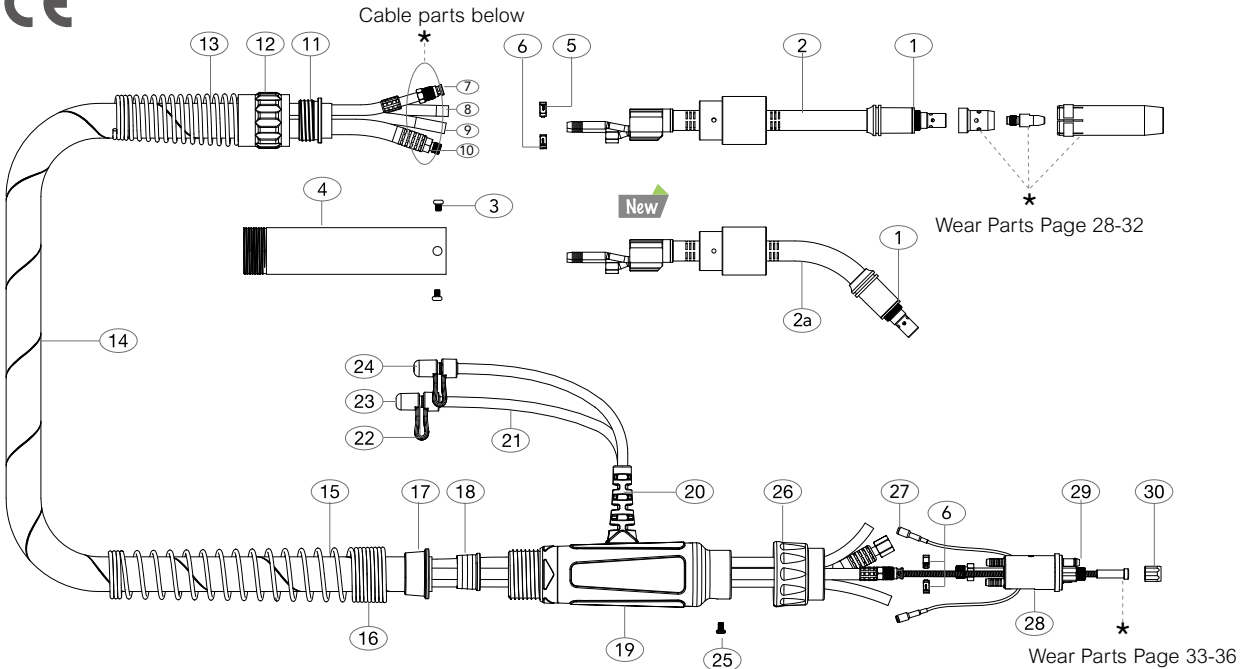
Standard products can be fully customized and branded



All products conform to EN60974-7, **CE** and are RoHS2, REACH and WEEE compliant

PG501W Auto Liquid-Cooled MIG Welding Torch

Rating: 500A CO₂ 450A mixed gas M21, EN60974-7 @ 100% duty cycle. 1.0 to 1.6mm wires



MODEL

| Description | Part Number | | |
|--------------------|-------------------------|--------------|--------------|
| | 2mt | 3mt | 4mt |
| Classic Auto Torch | UB5000-20A | UB5000-30A | UB5000-40A |
| | New UB5000-20A45 | UB5000-30A45 | UB5000-40A45 |

SPARE PARTS

| Part Number | Description | Part Number | Description |
|---------------------|---------------------------|-------------|-------------------------------|
| 1 UB5003 | Insulating Washer | 28 UB5098 | Gun Plug Body c/w Spring Pins |
| 2 UB5002A | Swan Neck Assembly | 29 UB1524 | Gun Plug 'O' Ring |
| 2a UB5045A | Swan Neck Assembly 45° | 30 UB1525 | Liner Nut |
| 3 UB3629 | Handle Screw | | |
| 4 UB3630 | Automatic Handle | | |
| 5 15400020 | Hose Clamp 8.7mm | | |
| 6 15400023 | Hose Clamp 10.0mm | | |
| 11 UB8110A | Auto Handle Insert | | |
| 12 UB8030A | Auto Handle Lock Nut | | |
| 13 UB8017A | Auto Handle Spring | | |
| 14 UPRB5006-AUTO-20 | Cable Assembly x 2mt | | |
| 15 UPRB5006-AUTO-30 | Cable Assembly x 3mt | | |
| 16 UPRB5006-AUTO-40 | Cable Assembly x 4mt | | |
| 17 UC8027 | Housing Spring | | |
| 18 UT8028 | Spring Cable Support Nut | | |
| 19 UT8009 | Canvas Cover Clamp | | |
| 20 UG8010 | Canvas Cover Retainer | | |
| 21 UT5022 | Gun Plug Housing Assembly | | |
| 22 USLH1820-S | Inlet/Outlet Hose Support | | |
| 23 UB5017 | Water Outlet Hose O/Braid | | |
| 24 UB5023 | Water Hose Nipple | | |
| 25 UBD-80310 | Blue Cap Stopper | | |
| 26 UBD-80320 | Red Cap Stopper | | |
| 27 UB1526 | Gun Plug Screw | | |
| | Gun Plug Nut | | |
| | Gun Plug Terminal Female | | |

| Description | Cable parts | | |
|-----------------------------|-------------|-----------|-----------|
| | 3M | 4M | 5M |
| 7 Outer Liner Assembly | UC5008-20 | UC5008-30 | UC5008-40 |
| 8 Gas Hose Assembly | UB5013-20 | UB5013-30 | UB5013-40 |
| 9 Water Inlet Hose Assembly | UB5012-20 | UB5012-30 | UB5012-40 |
| 10 Power Cable Assembly | UB5015-20 | UB5015-30 | UB5015-40 |

Standard products can be fully customized and branded

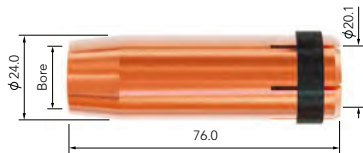
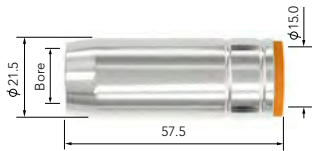


All products conform to EN60974-7, CE and are RoHS2, REACH and WEEE compliant

Wear Parts

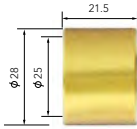
BZL Nozzles

| Part No. | Description | Bore | Wall | Material | PG150A | PG240A | PG250A | PG360A (PG380A, A ₁₀₀) | PG380A | PG240W | PG401W | PG501W (PG501W A ₁₀₀) | PG555W | PG605W |
|----------|------------------------|------|--------|----------|--------|--------|--------|---------------------------------------|--------|--------|--------|--------------------------------------|--------|--------|
| UB1529 | Cylindrical Nozzle | 16.2 | 0.9mm | Copper | ● | ● | ● | ● | ● | ● | ● | ● | ● | ● |
| UB1530 | Conical Nozzle | 12.0 | 0.9mm | Copper | ● | ● | ● | ● | ● | ● | ● | ● | ● | ● |
| UB1531 | Tapered Nozzle | 10.6 | 0.9mm | Copper | ● | ● | ● | ● | ● | ● | ● | ● | ● | ● |
| UB1532 | Bottle Nozzle | 12.8 | 0.9mm | Copper | ● | ● | ● | ● | ● | ● | ● | ● | ● | ● |
| UB1533 | Spot Welding Nozzle | 16.2 | 0.9mm | Copper | ● | ● | ● | ● | ● | ● | ● | ● | ● | ● |
| UB2415 | Cylindrical Nozzle | 17.2 | 1.4mm | Copper | ● | ● | ● | ● | ● | ● | ● | ● | ● | ● |
| UB2416 | Conical Nozzle | 12.6 | 1.4mm | Copper | ● | ● | ● | ● | ● | ● | ● | ● | ● | ● |
| UB2417 | Tapered Nozzle | 10.0 | 1.4mm | Copper | ● | ● | ● | ● | ● | ● | ● | ● | ● | ● |
| UC2415 | Eco Nozzle Cylindrical | 17.2 | 1.4mm | Brass | ● | ● | ● | ● | ● | ● | ● | ● | ● | ● |
| UC2416 | Eco Nozzle Conical | 12.6 | 1.4mm | Brass | ● | ● | ● | ● | ● | ● | ● | ● | ● | ● |
| UC2417 | Eco Nozzle Tapered | 10.0 | 1.4mm | Brass | ● | ● | ● | ● | ● | ● | ● | ● | ● | ● |
| UB2507 | Cylindrical Nozzle | 18.5 | 1.5mm | Copper | ● | ● | ● | ● | ● | ● | ● | ● | ● | ● |
| UB2508 | Conical Nozzle | 15.0 | 1.5mm | Copper | ● | ● | ● | ● | ● | ● | ● | ● | ● | ● |
| UB2509 | Tapered Nozzle | 12.0 | 1.5mm | Copper | ● | ● | ● | ● | ● | ● | ● | ● | ● | ● |
| UB2510 | Bottle Nozzle | 14.5 | 1.5mm | Copper | ● | ● | ● | ● | ● | ● | ● | ● | ● | ● |
| UB2511 | Spot Welding Nozzle | 18.0 | 1.5mm | Copper | ● | ● | ● | ● | ● | ● | ● | ● | ● | ● |
| UB3615 | Cylindrical Nozzle | 19.0 | 2.25mm | Copper | ● | ● | ● | ● | ● | ● | ● | ● | ● | ● |
| UB3616 | Conical Nozzle | 16.1 | 2.25mm | Copper | ● | ● | ● | ● | ● | ● | ● | ● | ● | ● |
| UB3617 | Tapered Nozzle | 12.0 | 2.25mm | Copper | ● | ● | ● | ● | ● | ● | ● | ● | ● | ● |
| UB5027 | Cylindrical Nozzle | 19.0 | 2.5mm | Copper | ● | ● | ● | ● | ● | ● | ● | ● | ● | ● |
| UB5028 | Conical Nozzle | 16.0 | 2.5mm | Copper | ● | ● | ● | ● | ● | ● | ● | ● | ● | ● |
| UB5028HD | Conical Nozzle | 16.0 | 3.2mm | Copper | ● | ● | ● | ● | ● | ● | ● | ● | ● | ● |
| UB5029 | Tapered Nozzle | 14.0 | 2.5mm | Copper | ● | ● | ● | ● | ● | ● | ● | ● | ● | ● |
| UB6528 | Conical Nozzle | 17.0 | 2.6mm | Copper | ● | ● | ● | ● | ● | ● | ● | ● | ● | ● |



● Standard wear part range ● Torch package standard wear part set-up

Wear Parts



BZL Nozzles Adaptors

| Part No. | Description | Material | PG150A | PG240A | PG250A | PG360A (PG380W Adaptor) | PG380A | PG240W | PG401W | PG501W (PG501W Adaptor) | PG555W | PG605W |
|----------|----------------|----------|--------|--------|--------|----------------------------|--------|--------|--------|----------------------------|--------|--------|
| UB6515 | Nozzle Adaptor | Brass | ● | ● | ● | ● | ● | ● | ● | ● | ● | ● |

BZL Contact Tips

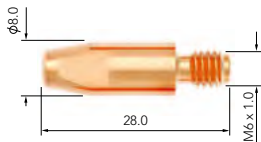
| Part No. | Description | Material | Wire Size mm-inch | PG150A | PG240A | PG250A | PG360A (PG380W Adaptor) | PG380A | PG240W | PG401W | PG501W (PG501W Adaptor) | PG555W | PG605W |
|----------|-------------|----------|-------------------|--------|--------|--------|----------------------------|--------|--------|--------|----------------------------|--------|--------|
|----------|-------------|----------|-------------------|--------|--------|--------|----------------------------|--------|--------|--------|----------------------------|--------|--------|

M6x25



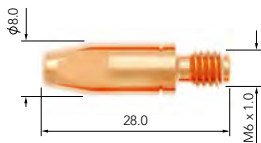
| | | | | | | | | | | | | | |
|------------|-------------|-----|-----------|---|---|---|---|---|---|---|---|---|---|
| UB1527-06 | Contact Tip | Ecu | 0.6-0.023 | ● | ● | ● | ● | ● | ● | ● | ● | ● | ● |
| UB1527-08 | Contact Tip | Ecu | 0.8-0.030 | ● | ● | ● | ● | ● | ● | ● | ● | ● | ● |
| UB1527-09 | Contact Tip | Ecu | 0.9-0.035 | ● | ● | ● | ● | ● | ● | ● | ● | ● | ● |
| UB1527-10 | Contact Tip | Ecu | 1.0-0.040 | ● | ● | ● | ● | ● | ● | ● | ● | ● | ● |
| UB1527-12 | Contact Tip | Ecu | 1.2-0.045 | ● | ● | ● | ● | ● | ● | ● | ● | ● | ● |
| UB1527-08A | Contact Tip | Ecu | 0.8-0.030 | ● | ● | ● | ● | ● | ● | ● | ● | ● | ● |
| UB1527-09A | Contact Tip | Ecu | 0.9-0.035 | ● | ● | ● | ● | ● | ● | ● | ● | ● | ● |
| UB1527-10A | Contact Tip | Ecu | 1.0-0.040 | ● | ● | ● | ● | ● | ● | ● | ● | ● | ● |

M6x28



| | | | | | | | | | | | | | |
|------------|-------------|-----|-----------|---|---|---|---|---|---|---|---|---|---|
| UB2504-06 | Contact Tip | Ecu | 0.6-0.023 | ● | ● | ● | ● | ● | ● | ● | ● | ● | ● |
| UB2504-08 | Contact Tip | Ecu | 0.8-0.030 | ● | ● | ● | ● | ● | ● | ● | ● | ● | ● |
| UB2504-09 | Contact Tip | Ecu | 0.9-0.035 | ● | ● | ● | ● | ● | ● | ● | ● | ● | ● |
| UB2504-10 | Contact Tip | Ecu | 1.0-0.040 | ● | ● | ● | ● | ● | ● | ● | ● | ● | ● |
| UB2504-12 | Contact Tip | Ecu | 1.2-0.045 | ● | ● | ● | ● | ● | ● | ● | ● | ● | ● |
| UB2504-14 | Contact Tip | Ecu | 1.4-0.055 | ● | ● | ● | ● | ● | ● | ● | ● | ● | ● |
| UB2504-16 | Contact Tip | Ecu | 1.6-0.063 | ● | ● | ● | ● | ● | ● | ● | ● | ● | ● |
| UB2504-08A | Contact Tip | Ecu | 0.8-0.030 | ● | ● | ● | ● | ● | ● | ● | ● | ● | ● |
| UB2504-10A | Contact Tip | Ecu | 1.0-0.040 | ● | ● | ● | ● | ● | ● | ● | ● | ● | ● |
| UB2504-12A | Contact Tip | Ecu | 1.2-0.045 | ● | ● | ● | ● | ● | ● | ● | ● | ● | ● |
| UB2504-16A | Contact Tip | Ecu | 1.6-0.063 | ● | ● | ● | ● | ● | ● | ● | ● | ● | ● |

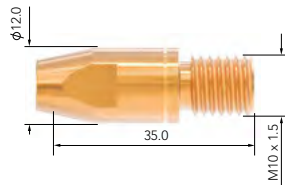
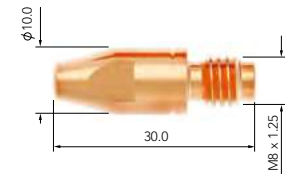
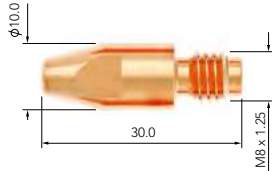
M6x28



| | | | | | | | | | | | | | |
|------------|-------------|--------|-----------|---|---|---|---|---|---|---|---|---|---|
| UB2505-08 | Contact Tip | CuCrZr | 0.8-0.030 | ● | ● | ● | ● | ● | ● | ● | ● | ● | ● |
| UB2505-09 | Contact Tip | CuCrZr | 0.9-0.035 | ● | ● | ● | ● | ● | ● | ● | ● | ● | ● |
| UB2505-10 | Contact Tip | CuCrZr | 1.0-0.040 | ● | ● | ● | ● | ● | ● | ● | ● | ● | ● |
| UB2505-12 | Contact Tip | CuCrZr | 1.2-0.045 | ● | ● | ● | ● | ● | ● | ● | ● | ● | ● |
| UB2505-16 | Contact Tip | CuCrZr | 1.6-0.063 | ● | ● | ● | ● | ● | ● | ● | ● | ● | ● |
| UB2505-10A | Contact Tip | CuCrZr | 1.0-0.040 | ● | ● | ● | ● | ● | ● | ● | ● | ● | ● |
| UB2505-12A | Contact Tip | CuCrZr | 1.2-0.045 | ● | ● | ● | ● | ● | ● | ● | ● | ● | ● |
| UB2505-16A | Contact Tip | CuCrZr | 1.6-0.063 | ● | ● | ● | ● | ● | ● | ● | ● | ● | ● |

● Standard wear part range ● Torch package standard wear part set-up

Wear Parts



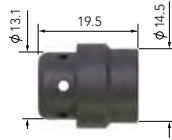
BZL Contact Tips

| Part No. | Description | Material | Wire Size mm-inch | PG150A | PG240A | PG250A | PG360A (PG380A Alloy) | PG380A | PG240W | PG401W | PG501W (PG501W Alloy) | PG555W | PG605W |
|---------------|-------------|----------|-------------------|--------|--------|--------|--------------------------|--------|--------|--------|--------------------------|--------|--------|
| M6x30 | | | | | | | | | | | | | |
| UB4014-08 | Contact Tip | Ecu | 0.8-0.030 | ● | ● | ● | ● | ● | ● | ● | ● | ● | ● |
| UB4014-09 | Contact Tip | Ecu | 0.9-0.035 | ● | ● | ● | ● | ● | ● | ● | ● | ● | ● |
| UB4014-10 | Contact Tip | Ecu | 1.0-0.040 | ● | ● | ● | ● | ● | ● | ● | ● | ● | ● |
| UB4014-12 | Contact Tip | Ecu | 1.2-0.045 | ● | ● | ● | ● | ● | ● | ● | ● | ● | ● |
| UB4014-14 | Contact Tip | Ecu | 1.4-0.055 | ● | ● | ● | ● | ● | ● | ● | ● | ● | ● |
| UB4014-16 | Contact Tip | Ecu | 1.6-0.063 | ● | ● | ● | ● | ● | ● | ● | ● | ● | ● |
| UB4014-20 | Contact Tip | Ecu | 2.0-0.080 | ● | ● | ● | ● | ● | ● | ● | ● | ● | ● |
| UB4014-24 | Contact Tip | Ecu | 2.4-0.095 | ● | ● | ● | ● | ● | ● | ● | ● | ● | ● |
| UB4014-10A | Contact Tip | Ecu | 1.0-0.040 | ● | ● | ● | ● | ● | ● | ● | ● | ● | ● |
| UB4014-12A | Contact Tip | Ecu | 1.2-0.045 | ● | ● | ● | ● | ● | ● | ● | ● | ● | ● |
| UB4014-16A | Contact Tip | Ecu | 1.6-0.063 | ● | ● | ● | ● | ● | ● | ● | ● | ● | ● |
| M8x30 | | | | | | | | | | | | | |
| UB4015-08 | Contact Tip | CuCrZr | 0.8-0.030 | ● | ● | ● | ● | ● | ● | ● | ● | ● | ● |
| UB4015-09 | Contact Tip | CuCrZr | 0.9-0.035 | ● | ● | ● | ● | ● | ● | ● | ● | ● | ● |
| UB4015-10 | Contact Tip | CuCrZr | 1.0-0.040 | ● | ● | ● | ● | ● | ● | ● | ● | ● | ● |
| UB4015-12 | Contact Tip | CuCrZr | 1.2-0.045 | ● | ● | ● | ● | ● | ● | ● | ● | ● | ● |
| UB4015-14 | Contact Tip | CuCrZr | 1.4-0.055 | ● | ● | ● | ● | ● | ● | ● | ● | ● | ● |
| UB4015-16 | Contact Tip | CuCrZr | 1.6-0.063 | ● | ● | ● | ● | ● | ● | ● | ● | ● | ● |
| UB4015-24 | Contact Tip | CuCrZr | 2.4-0.095 | ● | ● | ● | ● | ● | ● | ● | ● | ● | ● |
| UB4015-10A | Contact Tip | CuCrZr | 1.0-0.040 | ● | ● | ● | ● | ● | ● | ● | ● | ● | ● |
| UB4015-12A | Contact Tip | CuCrZr | 1.2-0.045 | ● | ● | ● | ● | ● | ● | ● | ● | ● | ● |
| UB4015-16A | Contact Tip | CuCrZr | 1.6-0.063 | ● | ● | ● | ● | ● | ● | ● | ● | ● | ● |
| UB4015-24A | Contact Tip | CuCrZr | 2.4-0.095 | ● | ● | ● | ● | ● | ● | ● | ● | ● | ● |
| M10x35 | | | | | | | | | | | | | |
| UB6015-10 | Contact Tip | CuCrZr | 1.0-0.040 | ● | ● | ● | ● | ● | ● | ● | ● | ● | ● |
| UB6015-12 | Contact Tip | CuCrZr | 1.2-0.045 | ● | ● | ● | ● | ● | ● | ● | ● | ● | ● |
| UB6015-14 | Contact Tip | CuCrZr | 1.4-0.055 | ● | ● | ● | ● | ● | ● | ● | ● | ● | ● |
| UB6015-16 | Contact Tip | CuCrZr | 1.6-0.063 | ● | ● | ● | ● | ● | ● | ● | ● | ● | ● |
| UB6015-20 | Contact Tip | CuCrZr | 2.0-0.080 | ● | ● | ● | ● | ● | ● | ● | ● | ● | ● |
| UB6015-24 | Contact Tip | CuCrZr | 2.4-0.095 | ● | ● | ● | ● | ● | ● | ● | ● | ● | ● |

● Standard wear part range ● Torch package standard wear part set-up

Wear Parts

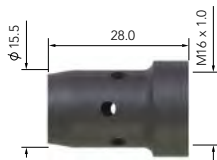
BZL Diffusers



| Part No. | Description | Colour | Material | PG150A | PG240A | PG250A | PG360A (PG380A, A40) | PG380A | PG240W | PG401W | PG501W (PG501W A40) | PG555W | PG605W |
|----------|-------------|--------|----------|--------|--------|--------|-------------------------|--------|--------|--------|------------------------|--------|--------|
| UB2405B | Diffuser | Black | DMC3 | ● | ● | ● | ● | ● | ● | ● | ● | ● | ● |
| UB2405C | Diffuser | White | Ceramic | ● | ● | ● | ● | ● | ● | ● | ● | ● | ● |
| UB2405W | Diffuser | White | DMC3 | ● | ● | ● | ● | ● | ● | ● | ● | ● | ● |
| UB2405S | Diffuser | Red | Silicon | ● | ● | ● | ● | ● | ● | ● | ● | ● | ● |



| | | | | | | | | | | | | | |
|---------|----------------------------|-------|---------|---|---|---|---|---|---|---|---|---|---|
| UB3605B | Diffuser | Black | DMC3 | ● | ● | ● | ● | ● | ● | ● | ● | ● | ● |
| UB3605C | Diffuser | White | Ceramic | ● | ● | ● | ● | ● | ● | ● | ● | ● | ● |
| UB3605H | Diffuser, High Performance | Black | HPP | ● | ● | ● | ● | ● | ● | ● | ● | ● | ● |
| UB3605W | Diffuser | White | DMC3 | ● | ● | ● | ● | ● | ● | ● | ● | ● | ● |



| | | | | | | | | | | | | | |
|---------|----------------------------|-------|---------|---|---|---|---|---|---|---|---|---|---|
| UB5005B | Diffuser | Black | DMC3 | ● | ● | ● | ● | ● | ● | ● | ● | ● | ● |
| UB5005C | Diffuser | White | Ceramic | ● | ● | ● | ● | ● | ● | ● | ● | ● | ● |
| UB5005H | Diffuser, High Performance | Black | HPP | ● | ● | ● | ● | ● | ● | ● | ● | ● | ● |
| UB5005W | Diffuser | White | DMC3 | ● | ● | ● | ● | ● | ● | ● | ● | ● | ● |



| | | | | | | | | | | | | | |
|---------|----------------------------|-------|-----|---|---|---|---|---|---|---|---|---|---|
| UB6505H | Diffuser, High Temperature | Black | HPP | ● | ● | ● | ● | ● | ● | ● | ● | ● | ● |
|---------|----------------------------|-------|-----|---|---|---|---|---|---|---|---|---|---|

● Standard wear part range ● Torch package standard wear part set-up

Wear Parts

BZL Liners

| Part No. | Length | Description | Nipple | Wire Size mm | PG150A | PG240A | PG250A | PG360A (PG380W, Auto) | PG380A | PG240W | PG401W | PG501W (PG501W, Auto) | PG555W | PG605W |
|------------|--------|--|---------------------|--------------|--------|--------|--------|--------------------------|--------|--------|--------|--------------------------|--------|--------|
| | | | | | | | | | | | | | | |
| UB1535-30 | 3.4mt | Steel Liner x 3mt | Moulded Nipple | 0.6-0.9 | ● | ● | ● | ● | ● | ● | ● | ● | ● | ● |
| UB1535-40 | 4.4mt | Steel Liner x 4mt | Moulded Nipple | 0.6-0.9 | ● | ● | ● | ● | ● | ● | ● | ● | ● | ● |
| UB1535-50 | 5.4mt | Steel Liner x 5mt | Moulded Nipple | 0.6-0.9 | ● | ● | ● | ● | ● | ● | ● | ● | ● | ● |
| | | | | | | | | | | | | | | |
| UB1535-30B | 3.4mt | Steel Liner x 3mt | Brass Nipple | 0.6-0.9 | ● | ● | ● | ● | ● | ● | ● | ● | ● | ● |
| UB1535-40B | 4.4mt | Steel Liner x 4mt | Brass Nipple | 0.6-0.9 | ● | ● | ● | ● | ● | ● | ● | ● | ● | ● |
| UB1535-50B | 5.4mt | Steel Liner x 5mt | Brass Nipple | 0.6-0.9 | ● | ● | ● | ● | ● | ● | ● | ● | ● | ● |
| | | | | | | | | | | | | | | |
| UB1536-30 | 3.6mt | Teflon Liner x 3mt | Teflon Brass Nipple | 0.6-0.9 | ● | ● | ● | ● | ● | ● | ● | ● | ● | ● |
| UB1536-40 | 4.6mt | Teflon Liner x 4mt | Teflon Brass Nipple | 0.6-0.9 | ● | ● | ● | ● | ● | ● | ● | ● | ● | ● |
| UB1536-50 | 5.6mt | Teflon Liner x 5mt | Teflon Brass Nipple | 0.6-0.9 | ● | ● | ● | ● | ● | ● | ● | ● | ● | ● |
| UNE2564 | 0.3mt | Optional Bronze Neck Liner | Teflon Brass Nipple | 0.6-1.2 | ● | ● | ● | ● | ● | ● | ● | ● | ● | ● |
| | | | | | | | | | | | | | | |
| UB1564-30 | 3.6mt | Polymaide / Brass Liner x 3mt 4.0mm O/D | Brass Nipple | 0.8-1.2 | ● | ● | ● | ● | ● | ● | ● | ● | ● | ● |
| UB1564-40 | 4.6mt | Polymaide / Brass Liner x 4mt 4.0mm O/D | Brass Nipple | 0.8-1.2 | ● | ● | ● | ● | ● | ● | ● | ● | ● | ● |
| UB1564-50 | 5.6mt | Polymaide / Brass Liner x 5mt 4.0mm O/D | Brass Nipple | 0.8-1.2 | ● | ● | ● | ● | ● | ● | ● | ● | ● | ● |
| | | | | | | | | | | | | | | |
| UB2524-30 | 3.4mt | Steel Liner x 3mt | Moulded Nipple | 1.0-1.2 | ● | ● | ● | ● | ● | ● | ● | ● | ● | ● |
| UB2524-40 | 4.4mt | Steel Liner x 4mt | Moulded Nipple | 1.0-1.2 | ● | ● | ● | ● | ● | ● | ● | ● | ● | ● |
| UB2524-50 | 5.4mt | Steel Liner x 5mt | Moulded Nipple | 1.0-1.2 | ● | ● | ● | ● | ● | ● | ● | ● | ● | ● |

● Standard wear part range ● Torch package standard wear part set-up

Wear Parts

BZL Liners

| Part No. | Length | Description | Nipple | Wire Size mm | PG150A | PG240A | PG250A | PG360A (PG380W, AntiSp) | PG380A | PG240W | PG401W | PG501W (PG501W, AntiSp) | PG555W | PG605W |
|--|--------|--|---------------------|--------------|--------|--------|--------|----------------------------|--------|--------|--------|----------------------------|--------|--------|
|  | | | | | | | | | | | | | | |
| UB2524-30B | 3.4mt | Steel Liner x 3mt | Brass Nipple | 1.0-1.2 | ● | ● | ● | ● | ● | ● | ● | ● | ● | ● |
| UB2524-40B | 4.4mt | Steel Liner x 4mt | Brass Nipple | 1.0-1.2 | ● | ● | ● | ● | ● | ● | ● | ● | ● | ● |
| UB2524-50B | 5.4mt | Steel Liner x 5mt | Brass Nipple | 1.0-1.2 | ● | ● | ● | ● | ● | ● | ● | ● | ● | ● |
|  | | | | | | | | | | | | | | |
| UB2513-30 | 3.6mt | Teflon Liner x 3mt | Teflon Brass Nipple | 1.0-1.2 | ● | ● | ● | ● | ● | ● | ● | ● | ● | ● |
| UB2513-40 | 4.6mt | Teflon Liner x 4mt | Teflon Brass Nipple | 1.0-1.2 | ● | ● | ● | ● | ● | ● | ● | ● | ● | ● |
| UB2513-50 | 5.6mt | Teflon Liner x 5mt | Teflon Brass Nipple | 1.0-1.2 | ● | ● | ● | ● | ● | ● | ● | ● | ● | ● |
| UNE2564 | 0.3mt | Optional Bronze Neck Liner | Brass Nipple | 1.2-1.6 | ● | ● | ● | ● | ● | ● | ● | ● | ● | ● |
|  | | | | | | | | | | | | | | |
| UB2564-30 | 3.6mt | Polyamide / Brass Liner x 3mt 4.7mm O/D | Brass Nipple | 1.2-1.6 | ● | ● | ● | ● | ● | ● | ● | ● | ● | ● |
| UB2564-40 | 4.6mt | Polyamide / Brass Liner x 4mt 4.7mm O/D | Brass Nipple | 1.2-1.6 | ● | ● | ● | ● | ● | ● | ● | ● | ● | ● |
| UB2564-50 | 5.6mt | Polyamide / Brass Liner x 5mt 4.7mm O/D | Brass Nipple | 1.2-1.6 | ● | ● | ● | ● | ● | ● | ● | ● | ● | ● |
|  | | | | | | | | | | | | | | |
| UB3631-30 | 3.4mt | Steel Liner x 3mt | Moulded Nipple | 1.6 | ● | ● | ● | ● | ● | ● | ● | ● | ● | ● |
| UB3631-40 | 4.4mt | Steel Liner x 4mt | Moulded Nipple | 1.6 | ● | ● | ● | ● | ● | ● | ● | ● | ● | ● |
| UB3631-50 | 5.4mt | Steel Liner x 5mt | Moulded Nipple | 1.6 | ● | ● | ● | ● | ● | ● | ● | ● | ● | ● |

● Standard wear part range ● Torch package standard wear part set-up

Wear Parts

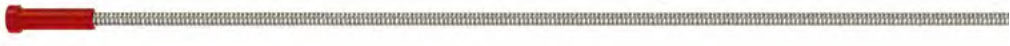



BZL Liners

| Part No. | Length | Description | Nipple | Wire Size mm | PG150A | PG240A | PG250A | PG360A <small>(PG380W, Auto)</small> | PG380A | PG240W | PG401W | PG501W <small>(PG501W, Auto)</small> | PG555W | PG605W |
|------------|--------|--|---------------------|--------------|--------|--------|--------|---|--------|--------|--------|---|--------|--------|
| | | | | | | | | | | | | | | |
| UB3631-30B | 3.4mt | Steel Liner x 3mt | Brass Nipple | 1.6-2.0 | ● | ● | ● | ● | ● | ● | ● | ● | ● | ● |
| UB3631-40B | 4.4mt | Steel Liner x 4mt | Brass Nipple | 1.6-2.0 | ● | ● | ● | ● | ● | ● | ● | ● | ● | ● |
| UB3631-50B | 5.4mt | Steel Liner x 5mt | Brass Nipple | 1.6-2.0 | ● | ● | ● | ● | ● | ● | ● | ● | ● | ● |
| | | | | | | | | | | | | | | |
| UB3626-30 | 3.6mt | Teflon Liner x 3mt | Teflon Brass Nipple | 1.2-1.6 | ● | ● | ● | ● | ● | ● | ● | ● | ● | ● |
| UB3626-40 | 4.6mt | Teflon Liner x 4mt | Teflon Brass Nipple | 1.2-1.6 | ● | ● | ● | ● | ● | ● | ● | ● | ● | ● |
| UB3626-50 | 5.6mt | Teflon Liner x 5mt | Teflon Brass Nipple | 1.2-1.6 | ● | ● | ● | ● | ● | ● | ● | ● | ● | ● |
| UNE3564 | 0.3mt | Optional Bronze Neck Liner | Brass Nipple | 1.6-2.0 | ● | ● | ● | ● | ● | ● | ● | ● | ● | ● |
| | | | | | | | | | | | | | | |
| UB3564-30 | 3.6mt | Polyamide / Brass Liner x 3mt 4.7mm O/D | Brass Nipple | 1.6-2.0 | ● | ● | ● | ● | ● | ● | ● | ● | ● | ● |
| UB3564-40 | 4.6mt | Polyamide / Brass Liner x 4mt 4.7mm O/D | Brass Nipple | 1.6-2.0 | ● | ● | ● | ● | ● | ● | ● | ● | ● | ● |
| UB3564-50 | 5.6mt | Polyamide / Brass Liner x 5mt 4.7mm O/D | Brass Nipple | 1.6-2.0 | ● | ● | ● | ● | ● | ● | ● | ● | ● | ● |
| | | | | | | | | | | | | | | |
| UB4631-30B | 3.5mt | Steel Liner x 3mt | Brass Nipple | 2.0-2.4 | ● | ● | ● | ● | ● | ● | ● | ● | ● | ● |
| UB4631-40B | 4.5mt | Steel Liner x 4mt | Brass Nipple | 2.0-2.4 | ● | ● | ● | ● | ● | ● | ● | ● | ● | ● |
| UB4631-50B | 5.5mt | Steel Liner x 5mt | Brass Nipple | 2.0-2.4 | ● | ● | ● | ● | ● | ● | ● | ● | ● | ● |

● Standard wear part range ● Torch package standard wear part set-up

Wear Parts

BZL Liners

| Part No. | Length | Description | Nipple | Wire Size mm | PG150A | PG240A | PG250A | PG360A <small>(PG380W, Auto)</small> | PG380A | PG240W | PG401W | PG501W <small>(PG501W, Auto)</small> | PG555W | PG605W |
|--|--------|-------------------|----------------|--------------|--------|--------|--------|---|--------|--------|--------|---|--------|--------|
|  | | | | | | | | | | | | | | |
| UB5033-30 | 3.5mt | Steel Liner x 3mt | Moulded Nipple | 1.0-1.2 | ● | ● | ● | ● | ● | ● | ● | ● | ● | ● |
| UB5033-40 | 4.5mt | Steel Liner x 4mt | Moulded Nipple | 1.0-1.2 | ● | ● | ● | ● | ● | ● | ● | ● | ● | ● |
| UB5033-50 | 5.5mt | Steel Liner x 5mt | Moulded Nipple | 1.0-1.2 | ● | ● | ● | ● | ● | ● | ● | ● | ● | ● |
|  | | | | | | | | | | | | | | |
| UB5033-30B | 3.5mt | Steel Liner x 3mt | Brass Nipple | 1.0-1.2 | ● | ● | ● | ● | ● | ● | ● | ● | ● | ● |
| UB5033-40B | 4.5mt | Steel Liner x 4mt | Brass Nipple | 1.0-1.2 | ● | ● | ● | ● | ● | ● | ● | ● | ● | ● |
| UB5033-50B | 5.5mt | Steel Liner x 5mt | Brass Nipple | 1.0-1.2 | ● | ● | ● | ● | ● | ● | ● | ● | ● | ● |
| UB5033-80B | 8.5mt | Steel Liner x 8mt | Brass Nipple | 1.0-1.2 | ● | ● | ● | ● | ● | ● | ● | ● | ● | ● |
|  | | | | | | | | | | | | | | |
| UB5034-30 | 3.5mt | Steel Liner x 3mt | Moulded Nipple | 1.2-1.6 | ● | ● | ● | ● | ● | ● | ● | ● | ● | ● |
| UB5034-40 | 4.5mt | Steel Liner x 4mt | Moulded Nipple | 1.2-1.6 | ● | ● | ● | ● | ● | ● | ● | ● | ● | ● |
| UB5034-50 | 5.5mt | Steel Liner x 5mt | Moulded Nipple | 1.2-1.6 | ● | ● | ● | ● | ● | ● | ● | ● | ● | ● |
|  | | | | | | | | | | | | | | |
| UB5034-30B | 3.5mt | Steel Liner x 3mt | Brass Nipple | 1.2-1.6 | ● | ● | ● | ● | ● | ● | ● | ● | ● | ● |
| UB5034-40B | 4.5mt | Steel Liner x 4mt | Brass Nipple | 1.2-1.6 | ● | ● | ● | ● | ● | ● | ● | ● | ● | ● |
| UB5034-50B | 5.5mt | Steel Liner x 5mt | Brass Nipple | 1.2-1.6 | ● | ● | ● | ● | ● | ● | ● | ● | ● | ● |
| UB5034-80B | 8.5mt | Steel Liner x 8mt | Brass Nipple | 1.2-1.6 | ● | ● | ● | ● | ● | ● | ● | ● | ● | ● |

● Standard wear part range ● Torch package standard wear part set-up

Customized Branding

The ProGrip series of Mig torches are offered in black and grey as standard.

Subject to minimum order quantities, handles are available in various colours and styles can be built to order.

There are 2 styles of handle available.

Softgrip Series 2 - Standard Label 1 Size: 38x10mm



PRO-BLK/GRY

Integrated Softgrip Series 2 - Optional Upgrade Label 1 Size: 38x10mm



PRO-BLK/BLK



PRO-BLU/BLK



PRO-BLK/RED



PRO-BLK/YEL



PRO-BLU/GRY



PRO-RED/GRY



PRO-BLK/ORG

Note: Minimum Order Quantities apply

To discuss options available please contact us on info@uniarc.com.cn
Colours maybe restricted dependent on market

Softgrip Series 1 - Optional Upgrade  Label 2 Size: 23.5x7.5mm



PRL-BLK/GRY



PRL-BLK/BLK



PRL-BLU/BLK



PRL-BLK/RED



PRL-BLK/YEL



PRL-BLU/GRY



PRL-RED/GRY



PRL-BLK/ORG

Note: Minimum Order Quantities apply

Customized Trigger Options:



Standard

PRO-GRY



PRO-YEL



PRO-BLK



PRO-RED

Note: Minimum Order Quantities apply

To discuss options available please contact us on info@uniarc.com.cn
Colours maybe restricted dependent on market

Customized Branding

Customized Handle Label Options:

Enhance your product image further with brandable handle stickers.

Template



Label 1 Size:38x10mm

Example



Label 1 Size:38x10mm



Label 2 Size: 23.5x7.5mm



Label 2 Size: 23.5x7.5mm

Available in PVC or Gel material

Note: Minimum Order Quantities Apply

Packaging Options

Products are supplied in plain white boxes as standard.

Boxes and bespoke packaging is available subject to minimum order quantities and additional costs.



To discuss options available please contact us on info@uniarc.com.cn
Colours maybe restricted dependend on market

Welding & Cutting Torch Technology

Floor 1 & 2, No.358, Gang Xing Er Road
Jinan Area of China (Shandong) Pilot Free Trade Zone
Jinan 250102
P.R. China

Tel: +86 531 88239823

Fax: +86 531 88239398

Website: www.uniarc.com.cn

Email: uniarc@uniarc.com.cn

MPU001 / V.2025.02