



**Welding & Cutting Torch Technology**

**Product Catalogue**  
**TWC Stealth Universal System**



## About Us

Uniarc is part of a group of companies specializing in the production of Welding and Cutting torches.

With over 40 years experience, the group is positioned as a global leader at the heart of the welding torch industry.

Originally established in the United Kingdom in the 1980's, the company is now a fully-fledged, vertically integrated Chinese product innovator and manufacturer.

Our customers span a full cross section of the industry, ranging from general distribution to leading global original equipment manufacturers.

Our products are used in a broad cross-section of industrial sectors ranging from auto body repair to ship building.

Whether you need a standard off the shelf product or a customized branded option with your own colours, logos and packaging we have a one stop solution for your requirements.

Our team are here to help, contact us today if you need anymore information.



find out more [www.uniarcorchology.com](http://www.uniarcorchology.com)

## Contents

---

**Features Focus** 2

**Range Overview** 3

---

### Torch Model

TW 180 4

TW 200 5

TW 300 6

TW 400 7

---

**Direct Plug Connector Kit** 8

---

### Wear Parts

TWC Nozzles 10

TWC Insulator 10

TWC Contact Tips 11

TWC Diffusers 11

TWC Liners 12

---

### Consumable Parts

All wear and spare parts are manufactured to the same specification as the OEM and are fully interchangeable.

### Hanger Hook

A "plug and play" option, they encourage the operator to hang the torch off the ground where it is easy to locate.

### Knuckle Joint and Cable Support

Small movements of the handle and neck are possible independent of the cable assembly. A moulded polymer cable support increases flexibility and electrode support.



### Terminations

A comprehensive range of USA style terminations ensures worldwide compatibility.

### Swan Necks

Manufactured to the same specification as the OEM.

### Handles and Cable Supports

Designed to combine balance, positioning and ergonomics with practical torch performance, cable life and consistent wire feed.

### Air-Cooled Cable Systems

Cable assemblies offer outstanding flexibility with the highest heat and abrasion resistance of any known cable.

Cable end and crimp systems ensure maximum conductivity whilst the outer jacket is constructed from cross-linked polymers providing a tear proof outer with a burn threshold of 375°C.



### Rear Cable Support

Extra length cable support systems ensure smooth and consistent wire feed at any angle.

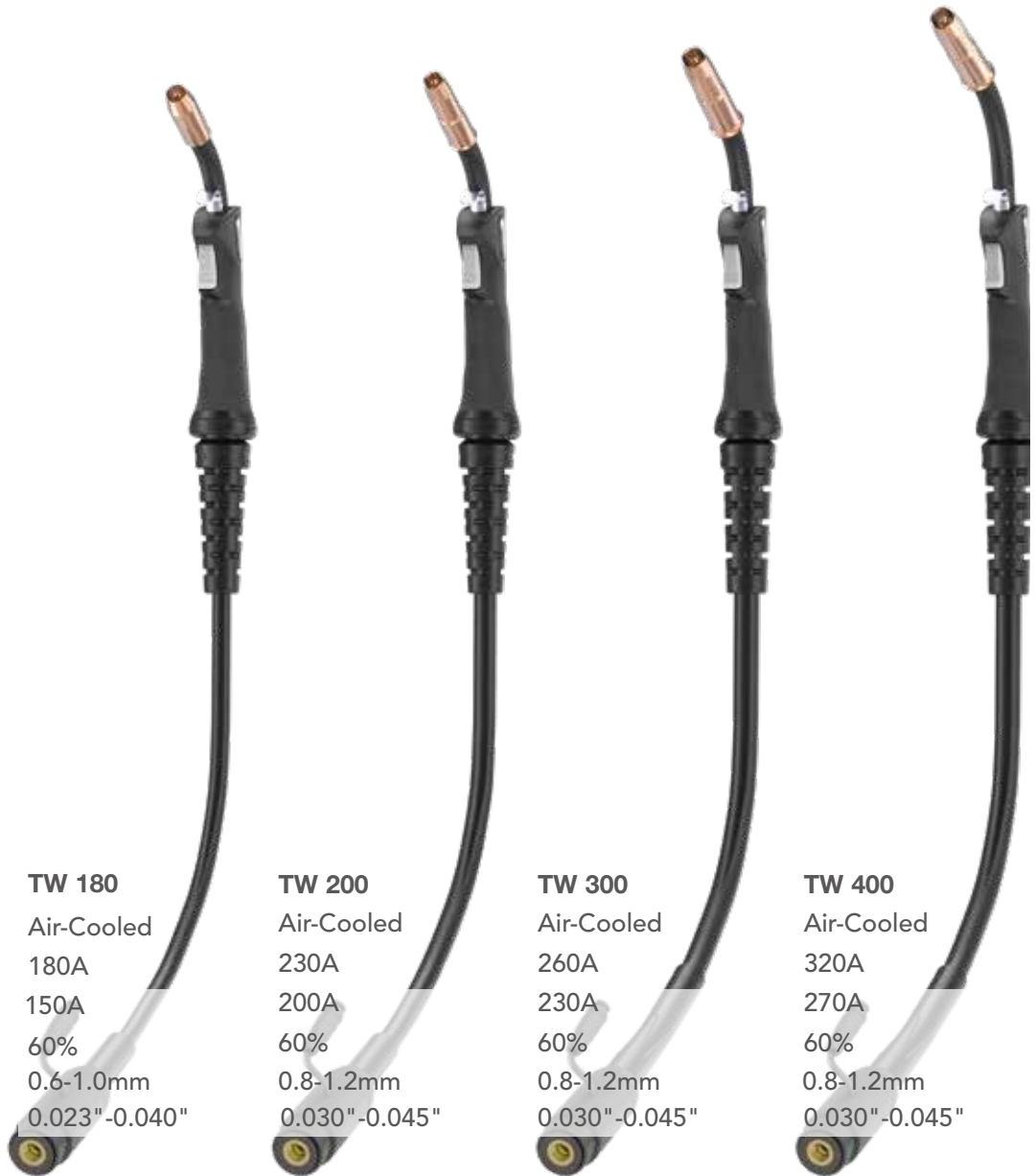
### Housings, Nuts and Supports

Tough and damage resistant, housings and nuts are formed in robust glass-reinforced polymers encasing all conductive parts in accordance with EN60974-7.



# TWC Stealth Mig / Mag Air-Cooled Series

Ratings: 150 Amp to 350 Amp, Mixed Gas M21

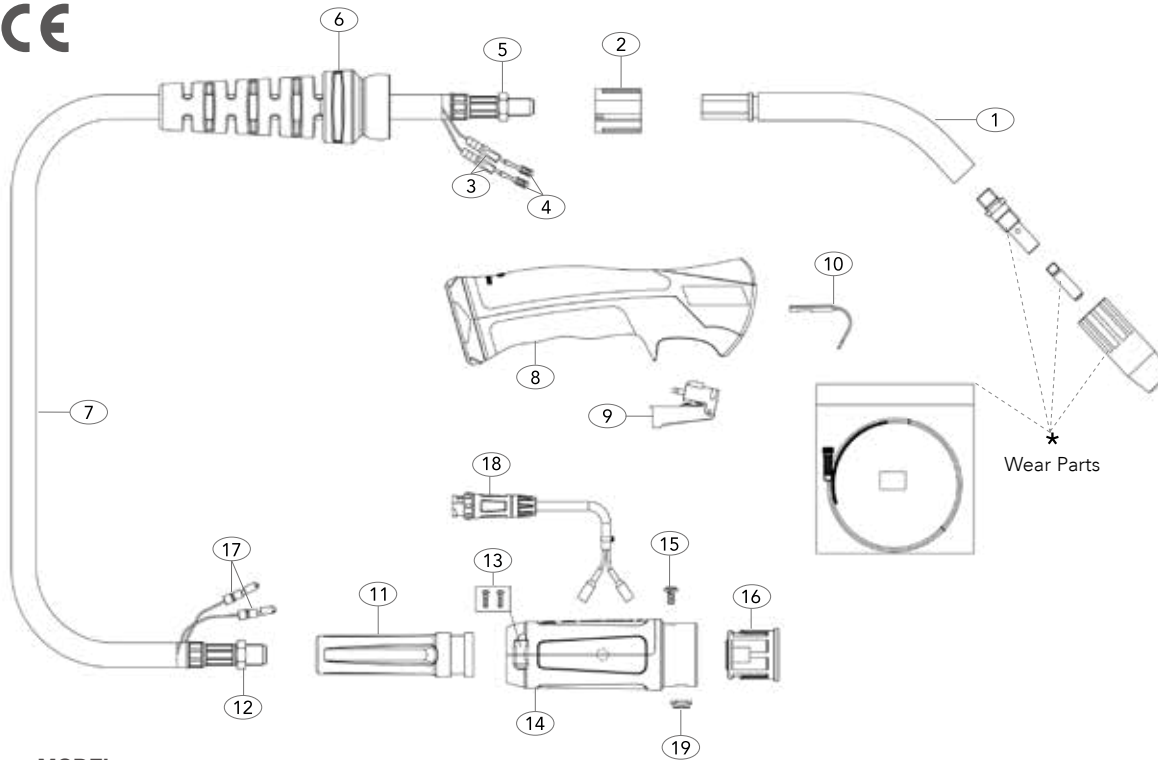


Technical Data	TW 180	TW 200	TW 300	TW 400
Cooling Method	Air-Cooled	Air-Cooled	Air-Cooled	Air-Cooled
Rating: CO <sub>2</sub>	180A	230A	260A	320A
Rating: Mixed Gas M21	150A	200A	230A	270A
Duty Cycle:	60%	60%	60%	60%
Wire Size:	0.6-1.0mm 0.023"-0.040"	0.8-1.2mm 0.030"-0.045"	0.8-1.2mm 0.030"-0.045"	0.8-1.2mm 0.030"-0.045"

Order Codes	10ft / 3mt	UGTW180-10AD	UGTW200-10AD	UGTW300-10AD	UGTW400-10AD
	12ft / 4mt	UGTW180-12AD	UGTW200-12AD	UGTW300-12AD	UGTW400-12AD
	15ft / 5mt	UGTW180-15AD	UGTW200-15AD	UGTW300-15AD	UGTW400-15AD

## TW 180 Air-Cooled Mig Welding Torch

Rating: 180A CO<sub>2</sub> 150A mixed gas M21, EN60974-7 @ 60% duty cycle. 0.6 to 1.0mm  
0.023"-0.040"



### MODEL

Description	Part Number		
	10ft / 3mt	12ft / 4mt	15ft / 5mt
TW180 Stealth Torch Package - Uni System	UGTW180-10AD	UGTW180-12AD	UGTW180-15AD

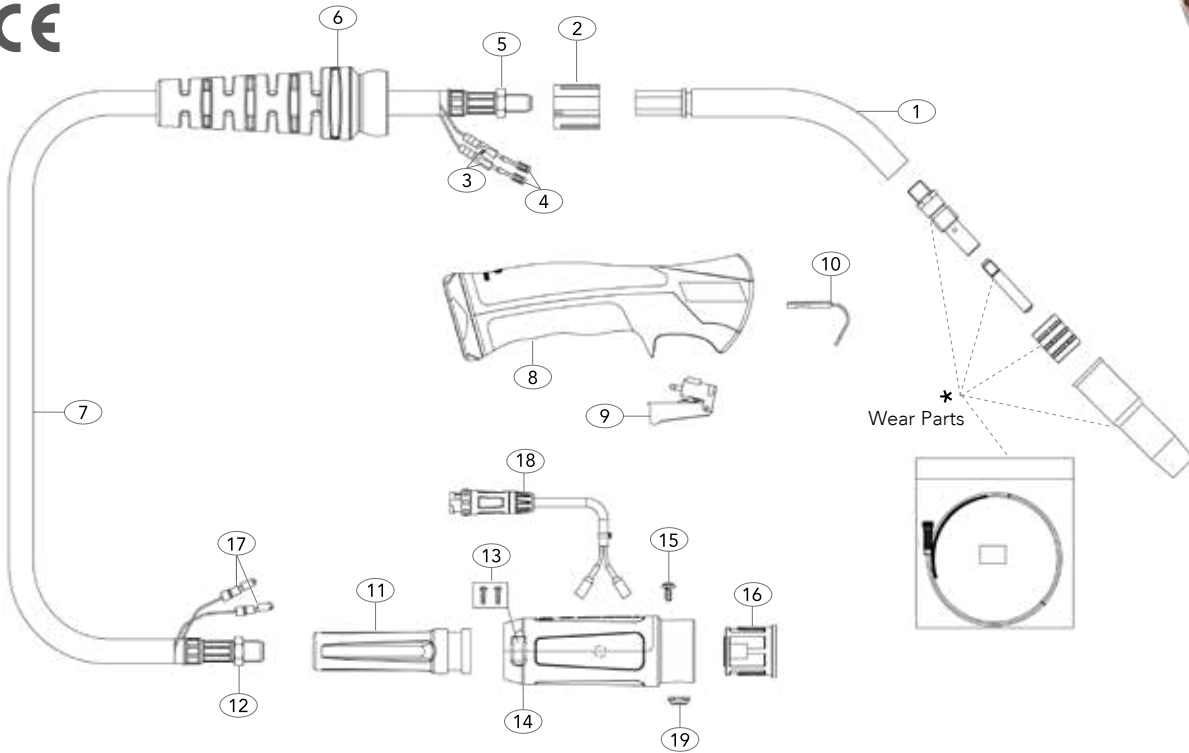
### Spare part

Part Number	Description	Part Number	Description
1	LS-TW1 Swan Neck Assembly	12	UXL1542 Cable End Lock Nut
2	UG1515 Ergo Handle Location Body	13	SCSP1-1 Gun Plug Housing Screw
3	UB1521-C Cable Terminal Cover	14	SC2578HL-S Gun Plug Housing
4	UB1521 Cable Terminal	15	UBL1541 Gun Plug Screw
5	UB1505 Lock Nut	16	ECEM1575-2 Hybrid Plug Body TWC 1-4
6	UG8015-BK Handle Cable Support c/w Ball Joint	17	UB1522 Cable Terminal Male
7	USTH180-10E Cable Assembly x 10ft	18	UQF-SW Switch Wire Plug
USTH180-12E Cable Assembly x 12ft	19	SC2578-SP1 Housing Stopper	
USTH180-15E Cable Assembly x 15ft			
8	UG2514-BK Handle And Lock Nut Assembly		
9	UG2516 Standard Trigger Assembly		
10	UB2517 Hanger Hook		
11	UC2841 Cable Support		

All products conform to EN60974-7, **CE** and are RoHS2, REACH and WEEE compliant

# TW 200 Air-Cooled Mig Welding Torch

Rating: 230A CO<sub>2</sub> 200A mixed gas M21, EN60974-7 @ 60% duty cycle. 0.8 to 1.2mm  
0.030"-0.045"



## MODEL

Description	Part Number		
TW 200 Stealth Torch Package - Uni System	10ft / 3mt UGTW200-10AD	12ft / 4mt UGTW200-12AD	15ft / 5mt UGTW200-15AD

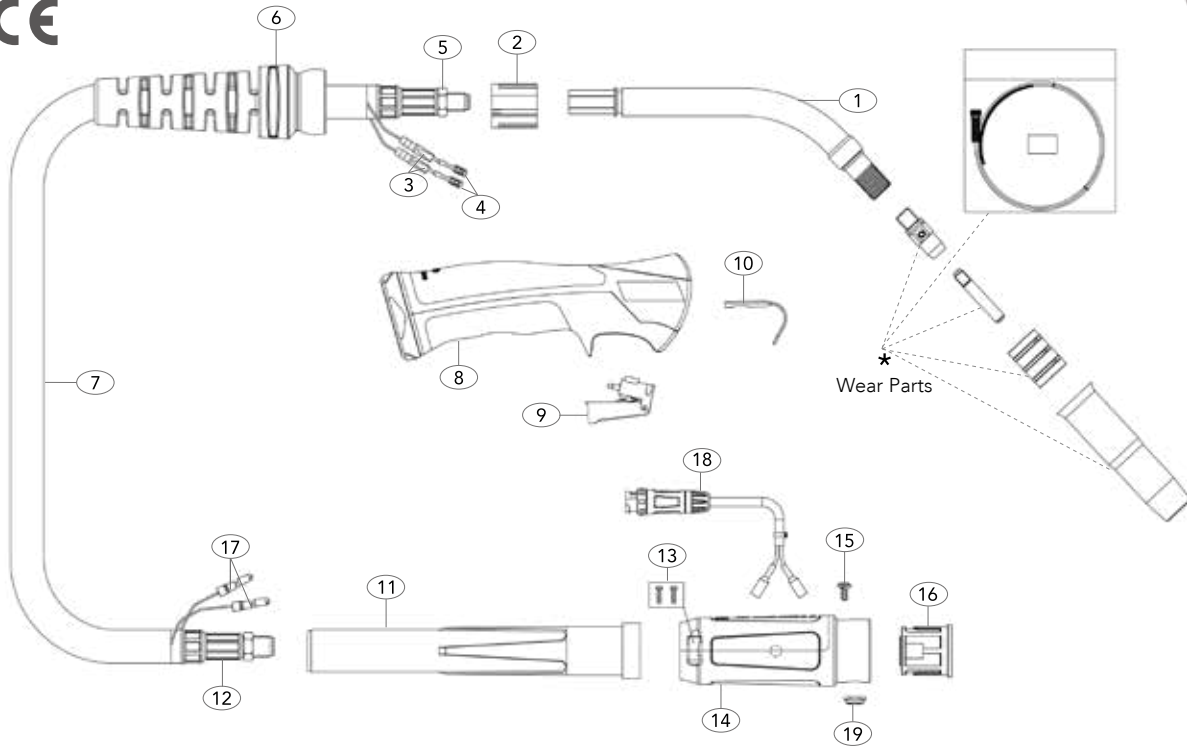
## Spare part

Part Number	Description	Part Number	Description
1	LS-TW2 Swan Neck Assembly	12	UXL1542 Cable End Lock Nut
2	UG1515 Ergo Handle Location Body	13	SCSP1-1 Gun Plug Housing Screw
3	UB1521-C Cable Terminal Cover	14	SC2578HL-S Gun Plug Housing
4	UB1521 Cable Terminal	15	UBL1541 Gun Plug Screw
5	UB1505 Lock Nut	16	ECEM1575-2 Hybrid Plug Body TWC 1-4
6	UG8015-BK Handle Cable Support c/w Ball Joint	17	UB1522 Cable Terminal Male
7	USTH200-10E Cable Assembly x 10ft	18	UQF-SW Switch Wire Plug
USTH200-12E	Cable Assembly x 12ft	19	SC2578-SP1 Housing Stopper
USTH200-15E	Cable Assembly x 15ft		
8	UG2514-BK Handle And Lock Nut Assembly		
9	UG2516 Standard Trigger Assembly		
10	UB2517 Hanger Hook		
11	UC2841 Cable Support		

All products conform to EN60974-7, **CE** and are RoHS2, REACH and WEEE compliant

## TW 300 Air-Cooled Mig Welding Torch

Rating: 260A CO<sub>2</sub> 230A mixed gas M21, EN60974-7 @ 60% duty cycle. 0.8 to 1.2mm  
0.030"-0.045"

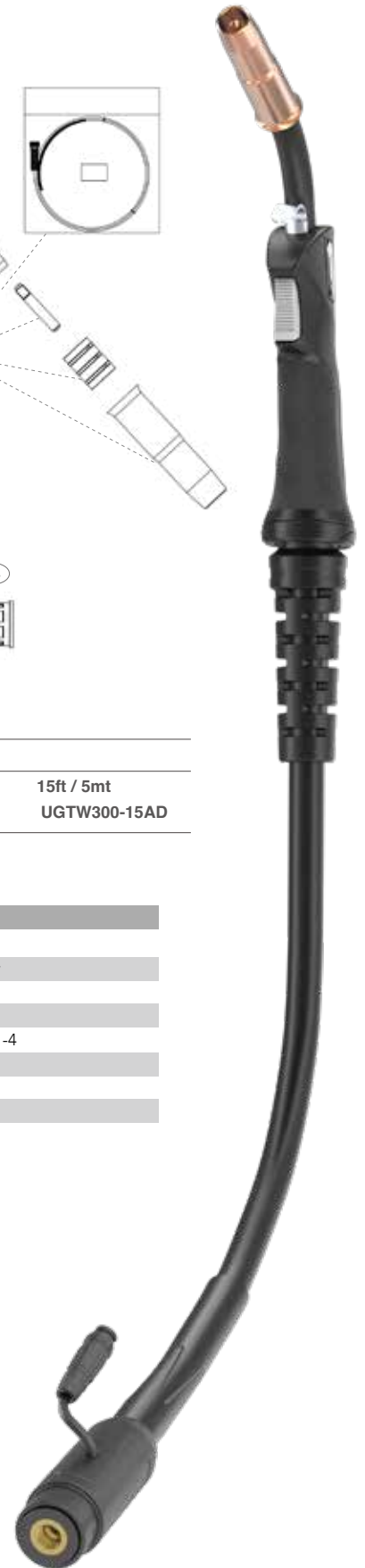


### MODEL

Description	Part Number		
	10ft / 3mt	12ft / 4mt	15ft / 5mt
TW300 Stealth Torch Package - Uni System	UGTW300-10AD	UGTW300-12AD	UGTW300-15AD

### Spare part

Part Number	Description	Part Number	Description
1	LS-TW3 Swan Neck Assembly	12	UXL1542 Cable End Lock Nut
2	UG1515 Ergo Handle Location Body	13	SCSP1-1 Gun Plug Housing Screw
3	UB1521-C Cable Terminal Cover	14	SC2578HL-L Gun Plug Housing
4	UB1521 Cable Terminal	15	UBL1541 Gun Plug Screw
5	UB1505 Lock Nut	16	ECEM1575-2 Hybrid Plug Body TWC 1-4
6	UG8016-BK Handle Cable Support c/w Ball Joint	17	UB1522 Cable Terminal Male
7	USTH300-10E Cable Assembly x 10ft	18	UQF-SW Male Switch Wire Plug
USTH300-12E	Cable Assembly x 12ft	19	SC2578-SP1 Housing Stopper
USTH300-15E	Cable Assembly x 15ft		
8	UG2514-BK Handle And Lock Nut Assembly		
9	UG2516 Standard Trigger Assembly		
10	UB2517 Hanger Hook		
11	UPA3541 Cable Support		

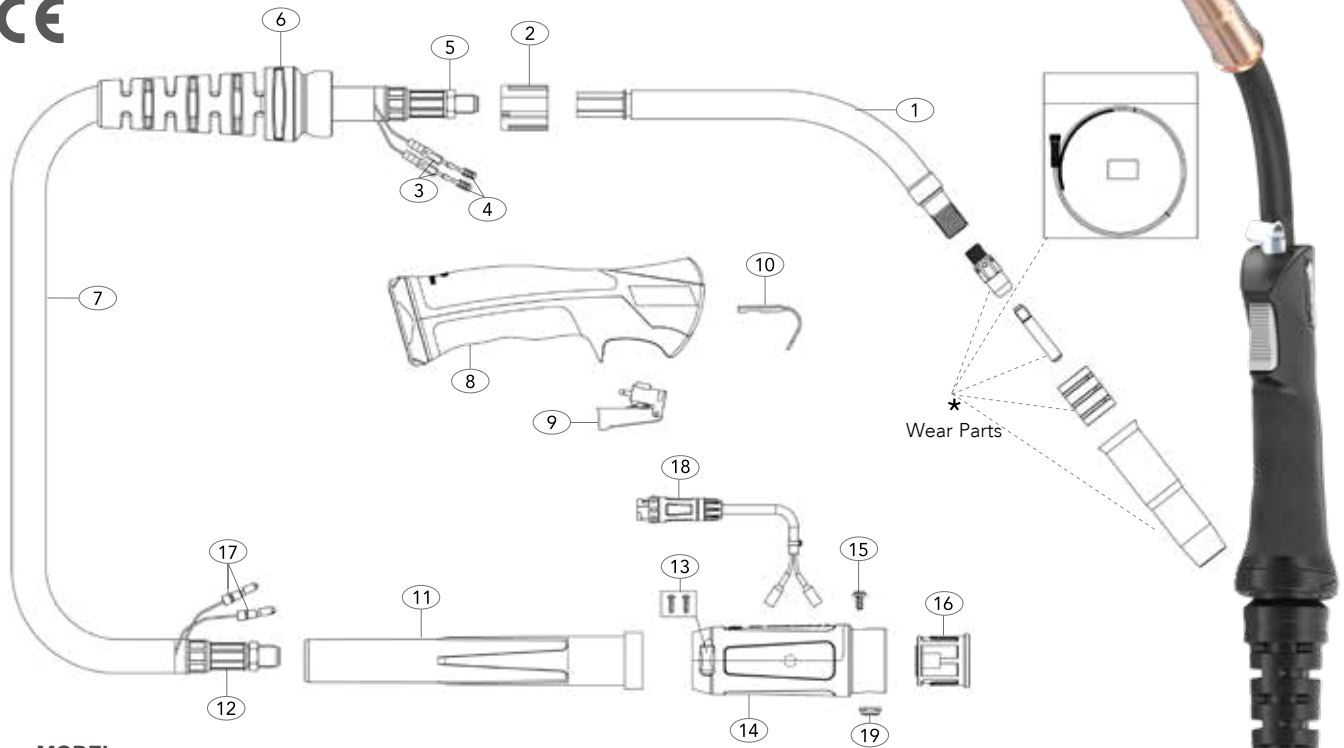


All products conform to EN60974-7, **CE** and are RoHS2, REACH and WEEE compliant



# TW 400 Air-Cooled Mig Welding Torch

Rating: 320A CO<sub>2</sub> 270A mixed gas M21, EN60974-7 @ 60% duty cycle. 0.8 to 1.2mm  
0.030"-0.045"



## MODEL

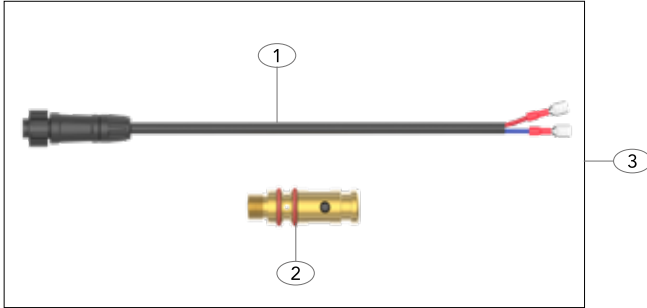
Description	Part Number		
TW400 Stealth Torch Package - Uni System	10ft / 3mt UGTW400-10AD	12ft / 4mt UGTW400-12AD	15ft / 5mt UGTW400-15AD

## Spare part

Part Number	Description	Part Number	Description
1	LS-TW4 Swan Neck Assembly	12	UXL1542 Cable End Lock Nut
2	UG1515 Ergo Handle Location Body	13	SCSP1-1 Gun Plug Housing Screw
3	UB1521-C Cable Terminal Cover	14	SC2578HL-L Gun Plug Housing
4	UB1521 Cable Terminal	15	UBL1541 Gun Plug Screw
5	UB1505 Lock Nut	16	ECEM1575-2 Hybrid Plug Body TWC 1-4
6	UG8016-BK Handle Cable Support c/w Ball Joint	17	UB1522 Cable Terminal Male
7	USTH400-10E Cable Assembly x 10ft	18	UQF-SW Male Switch Wire Plug
USTH400-12E	Cable Assembly x 12ft	19	SC2578-SP1 Housing Stopper
USTH400-15E	Cable Assembly x 15ft		
8	UG2514-BK Handle And Lock Nut Assembly		
9	UG2516 Standard Trigger Assembly		
10	UB2517 Hanger Hook		
11	UPA3541 Cable Support		

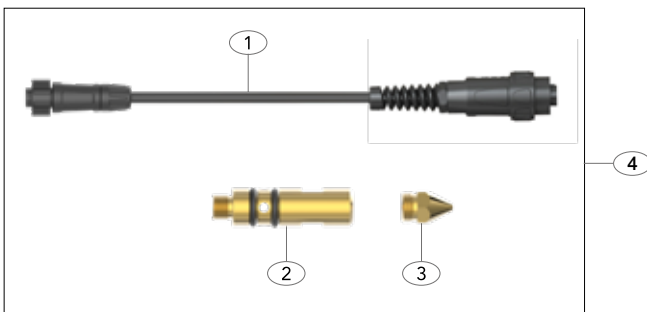
All products conform to EN60974-7, **CE** and are RoHS2, REACH and WEEE compliant

**Tweco® 1-4 Universal Kit**



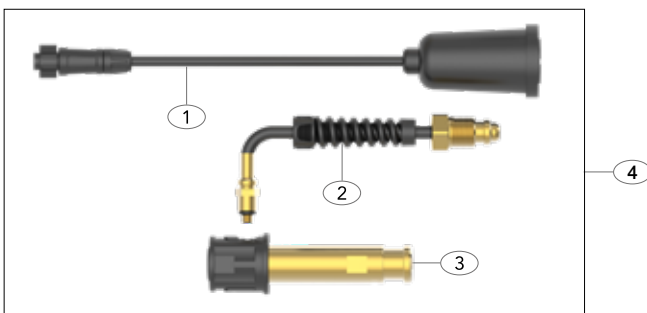
Direct Plug Connector	
Part Number	Description
1 ECEL1575-SW-Q	Quick Fit Switch Wire Assembly
2 ECET1575-1	Tweco® 1-4 Power Pin
3 ECET1575K-Q	Quick Fit Connector Kit Complete

**Miller®-TWC 1-4 Universal Kit**



Direct Plug Connector	
Part Number	Description
1 ECEM1575-SW-Q	Quick Fit Miller® Plug Assembly
2 ECEM1575-1	Miller® Power Pin
3 ML1570	Wire Guide 0.35" - 1/16"
ML1571	Wire Guide 5/16-3/32" (Option)
4 ECEM1575K-Q	Quick Fit Connector Kit Complete

**Lincoln® -TWC 1-4 Universal Kit**



Direct Plug Connector	
Part Number	Description
1 M16725-Q	Quick Fit Lincoln® Plug Assembly
2 ECEL1575-G	Lincoln® Gas Tube Assembly
3 ECEL1575	Lincoln® Power Pin
4 ECEL1575K-Q	Quick Fit Connector Kit Complete



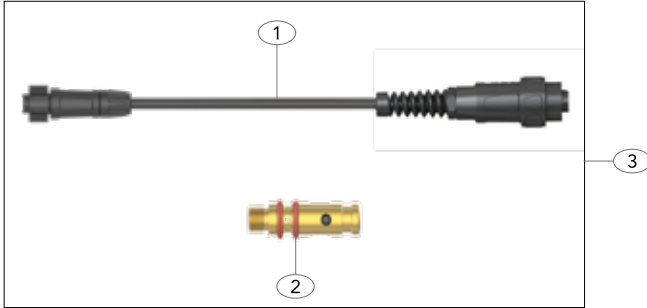
**Universal Set-up Guide**  
A simple step by step guide

All products conform to EN60974-7, **CE** and are RoHS2, REACH and WEEE compliant

# Universal Kits

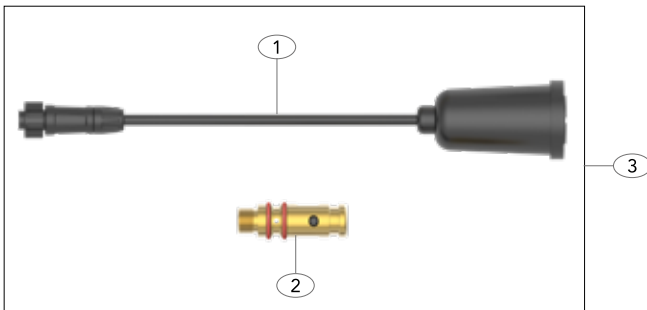
## Connector Kits

### LPW-TWC 1-4 Universal Kit



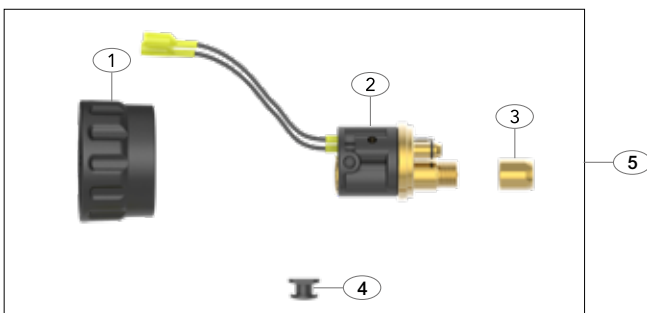
Direct Plug Connector	
Part Number	Description
1 ECEM1575-SW-Q	Quick Fit Miller® Plug Assembly
2 ECET1575-1	Tweco® 1-4 Power Pin
3 ECEW1575K-Q	Quick Fit Connector Kit Complete

### LPB-TWC 1-4 Universal Kit



Direct Plug Connector	
Part Number	Description
1 M16725-Q	Quick Fit Lincoln® Plug Assembly
2 ECET1575-1	Tweco® 1-4 Power Pin
3 ECEB1575K-Q	Quick Fit Connector Kit Complete

### Euro Connector Kits Universal Kit



Direct Plug Connector	
Part Number	Description
1 UC1519-S	Gun Plug Nut
2 UC174EX-1	Gun Plug Body
3 UXL1826	Liner Retaining Nut
4 SC2578-SP2	Housing Stopper
5 UC174EX-1-KIT-QS	Quick Fit Connector Kit Complete



**Universal Set-up Guide**  
A simple step by step guide

All products conform to EN60974-7, and are RoHS2, REACH and WEEE compliant

## Wear Parts

### TWC Nozzles

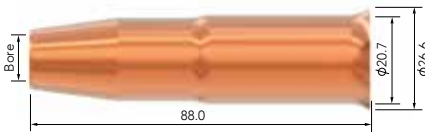
Part No.	Description	Bore	Wall	Material	TW180	TW200	TW300	TW400
U21-37	Nozzle Self Insulated	9.5	1.6mm	Copper	●	●	●	●
U21-50	Nozzle Self Insulated	12.7	1.6mm	Copper	●	●	●	●
U21-62	Nozzle Self Insulated	15.9	1.6mm	Copper	●	●	●	●



U22-50	Nozzle Adjustable	12.8	1.25mm	Copper	●	●	●	●
U22-62	Nozzle Adjustable	16.0	1.25mm	Copper	●	●	●	●

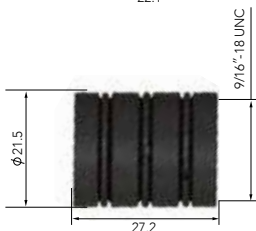
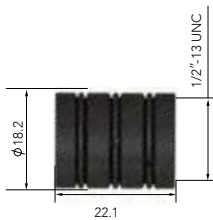


U24A-50	Nozzle Adjustable	12.8	1.25mm	Copper	●	●	●	●
U24A-62	Nozzle Adjustable	16.0	1.25mm	Copper	●	●	●	●
U24A-75	Nozzle Adjustable	19.0	1.25mm	Copper	●	●	●	●



### TWC Insulator

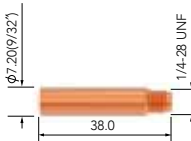
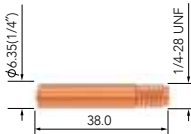
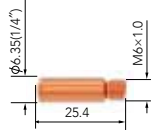
Part No.	Description	Bore	Wall	Material	TW180	TW200	TW300	TW400
U32	Nozzle Insulator				●	●	●	●
U34A	Nozzle Insulator				●	●	●	●



● Standard wear part range    ● Torch package standard wear part set-up

## Wear Parts

### TWC Contact Tips

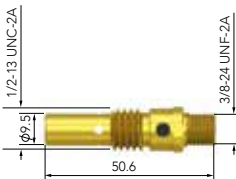
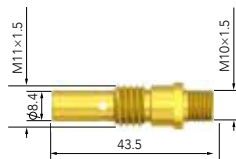


Part No.	Description	Material	Wire Size mm-INCH	TW180	TW200	TW300	TW400
U11-23	Contact Tip	Ecu	0.6-0.023"	●	●	●	●
U11-30	Contact Tip	Ecu	0.8-0.030"	●	●	●	●
U11-35	Contact Tip	Ecu	0.9-0.035"	●	●	●	●
U11-40	Contact Tip	Ecu	1.0-0.040"	●	●	●	●

U14-30	Contact Tip	Ecu	0.8-0.030"	●	●	●	●
U14-35	Contact Tip	Ecu	0.9-0.035"	●	●	●	●
U14-40	Contact Tip	Ecu	1.0-0.040"	●	●	●	●
U14-45	Contact Tip	Ecu	1.2-0.045"	●	●	●	●

U14H-30	Contact Tip	Ecu	0.8-0.030"	●	●	●	●
U14H-35	Contact Tip	Ecu	0.9-0.035"	●	●	●	●
U14H-40	Contact Tip	Ecu	1.0-0.040"	●	●	●	●
U14H-45	Contact Tip	Ecu	1.2-0.045"	●	●	●	●

### TWC Diffuser



Part No.	Description	Bore	Material	TW180	TW200	TW300	TW400
U51	Diffuser		Brass	●	●	●	●








U52	Diffuser		Brass	●	●	●	●
-----	----------	--	-------	---	---	---	---

U54A	Diffuser		Brass	●	●	●	●
------	----------	--	-------	---	---	---	---

● Standard wear part range    ● Torch package standard wear part set-up

## Wear Parts

### TWC Liners

Part No.	Description	Bore	Wall	Material	TW180	TW200	TW300	TW400
								
U42-3035-15	4.90mt Steel Liner x 15ft	Moulded Nipple	0.8-0.9/0.030-0.035"		●	●	●	●
U42-3035-25	8.10mt Steel Liner x 25ft	Moulded Nipple	0.8-0.9/0.030-0.035"		●	●	●	●
								
UA42-3035-15	4.90mt Steel Liner x 15ft	Brass Nipple	0.8-0.9/0.030-0.035"		●	●	●	●
UA42-3035-25	8.10mt Steel Liner x 25ft	Brass Nipple	0.8-0.9/0.030-0.035"		●	●	●	●
								
U42-4045-15	4.90mt Steel Liner x 15ft	Moulded Nipple	1.0-1.2/0.040-0.045"		●	●	●	●
U42-4045-25	8.10mt Steel Liner x 25ft	Moulded Nipple	1.0-1.2/0.040-0.045"		●	●	●	●
								
UA42-4045-15	4.90mt Steel Liner x 15ft	Brass Nipple	1.0-1.2/0.040-0.045"		●	●	●	●
UA42-4045-25	8.10mt Steel Liner x 25ft	Brass Nipple	1.0-1.2/0.040-0.045"		●	●	●	●
								
U42N-4045-15	4.90mt Polyamide Liner x 15ft	Brass Nipple	1.0-1.2/0.040-0.045"		●	●	●	●
U42N-4045-25	8.10mt Polyamide Liner x 25ft	Brass Nipple	1.0-1.2/0.040-0.045"		●	●	●	●
								
U44-3545-15	4.90mt Steel Liner x 15ft	Moulded Nipple	0.9-1.2/0.035-0.045"		●	●	●	●
U44-3545-25	8.10mt Steel Liner x 25ft	Moulded Nipple	0.9-1.2/0.035-0.045"		●	●	●	●
								
UA44-3545-15	4.90mt Steel Liner x 15ft	Brass Nipple	0.9-1.2/0.035-0.045"		●	●	●	●
UA44-3545-25	8.10mt Steel Liner x 25ft	Brass Nipple	0.9-1.2/0.035-0.045"		●	●	●	●

● Standard wear part range    ● Torch package standard wear part set-up



## Welding & Cutting Torch Technology

**JINAN UNIARC WELDING TECHNOLOGY CO., LTD**

13A Zhangjin Comprehensive Bonded Zone  
33688, Jing Shi Dong Road  
Jinan Area of China (Shandong) Pilot Free Trade Zone  
Jinan 250102, P.R. China

**Tel:** +86 531 88239823

**Website:** [www.uniarctorchology.com](http://www.uniarctorchology.com)

**Email:** [info@uniarctorchology.com](mailto:info@uniarctorchology.com)

V.2024.1