



**Welding & Cutting Torch Technology**

## **Product Catalogue**

**TWC Universal System**



## About Us

Uniarc is part of a group of companies specializing in the production of Welding and Cutting torches.

With over 40 years experience, the group is positioned as a global leader at the heart of the welding torch industry.

Originally established in the United Kingdom in the 1980's, the company is now a fully-fledged, vertically integrated Chinese product innovator and manufacturer.

Our customers span a full cross section of the industry, ranging from general distribution to leading global original equipment manufacturers.

Our products are used in a broad cross-section of industrial sectors ranging from auto body repair to ship building.

Whether you need a standard off the shelf product or a customized branded option with your own colours, logos and packaging we have a one stop solution for your requirements.

Our team are here to help, contact us today if you need anymore information.



find out more [www.uniarc-torchology.com](http://www.uniarc-torchology.com)

## Contents

---

Features Focus 2

Range Overview 3

---

### Torch Model

TW NO.2 4

TW NO.3 5

TW NO.4 6

---

Direct Plug Connector Kit 7

---

### Wear Parts

TWC Nozzles 9

TWC Insulator 10

TWC Contact Tips 11

TWC Diffusers 12

TWC Liners 13

---

**Consumable Parts**

All wear and spare parts are manufactured to the same specification as the OEM and are fully interchangeable.

**Hanger Hook**

A "plug and play" option, they encourage the operator to hang the torch off the ground where it is easy to locate.

**Knuckle Joint and Cable Support**

Small movements of the handle and neck are possible independent of the cable assembly. A moulded polymer cable support increases flexibility and electrode support.



**Terminations**

A comprehensive range of USA style terminations ensures worldwide compatibility.

**Swan Necks**

Manufactured to the same specification as the OEM.

**Handles and Cable Supports**

Designed to combine balance, positioning and ergonomics with practical torch performance, cable life and consistent wire feed.

**Air-Cooled Cable Systems**

Cable assemblies offer outstanding flexibility with the highest heat and abrasion resistance of any known cable.

Cable end and crimp systems ensure maximum conductivity whilst the outer jacket is constructed from cross-linked polymers providing a tear proof outer with a burn threshold of 375°C.



**Rear Cable Support**

Extra length cable support systems ensure smooth and consistent wire feed at any angle.

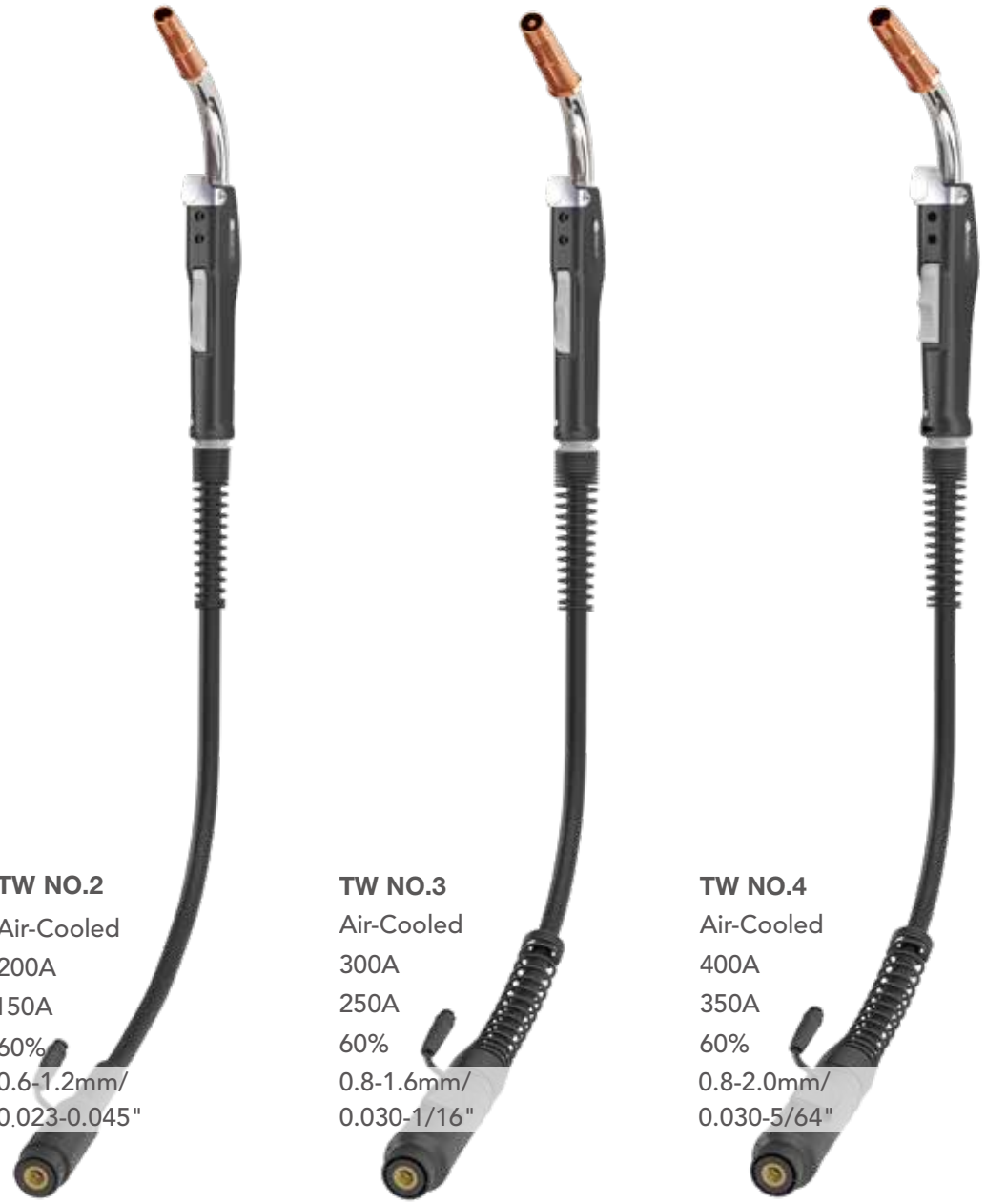
**Housings, Nuts and Supports**

Tough and damage resistant, housings and nuts are formed in robust glass-reinforced polymers encasing all conductive parts in accordance with EN60974-7.



# TWC Mig / Mag Air-Cooled Series

Ratings: 150 Amp to 350 Amp, Mixed Gas M21



## Technical Data

Cooling Method

Rating: CO<sub>2</sub>

Rating: Mixed Gas M21

Duty Cycle:

Wire Size:

### TW NO.2

Air-Cooled

200A

150A

60%

0.6-1.2mm/  
0.023-0.045"

### TW NO.3

Air-Cooled

300A

250A

60%

0.8-1.6mm/  
0.030-1/16"

### TW NO.4

Air-Cooled

400A

350A

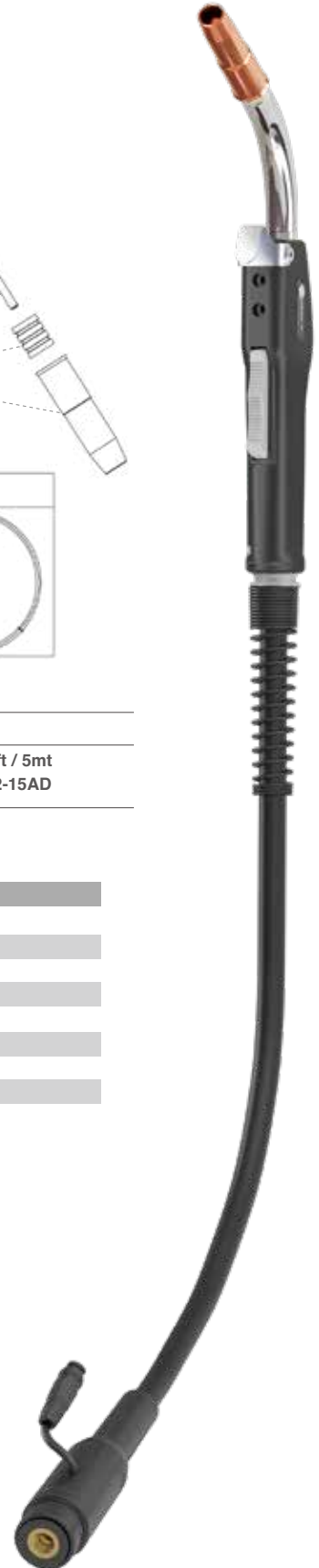
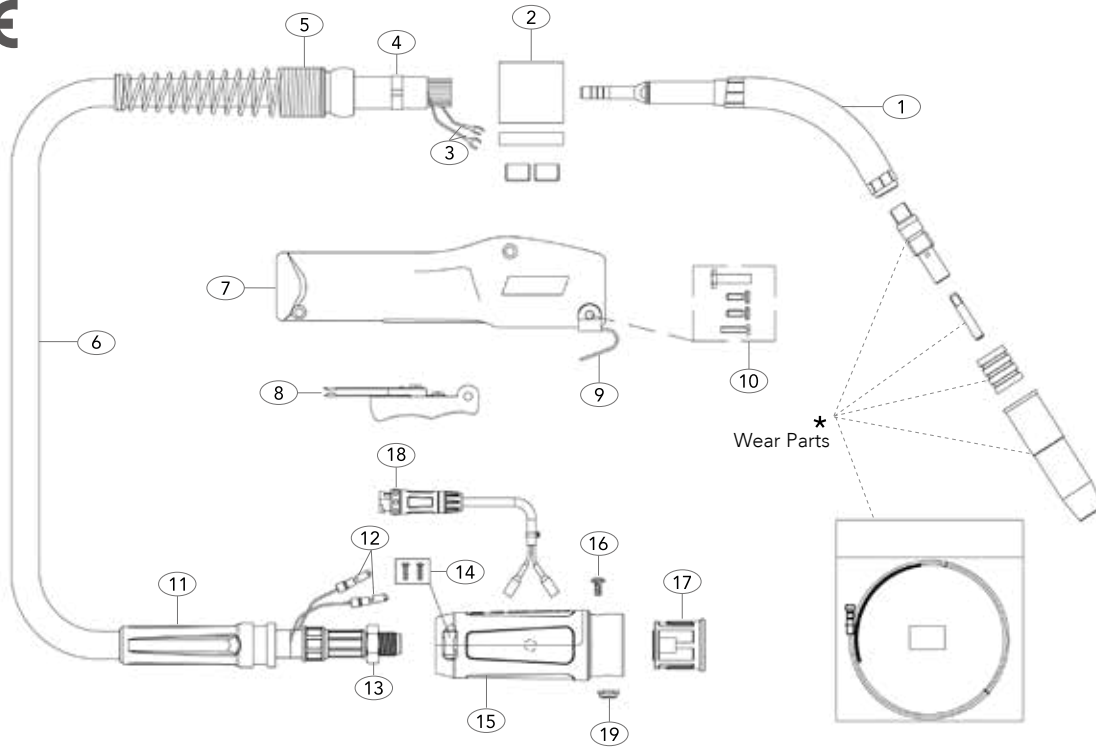
60%

0.8-2.0mm/  
0.030-5/64"

Order Codes	10ft / 3mt	U2-10AD	U3-10AD	U4-10AD
	12ft / 4mt	U2-12AD	U3-12AD	U4-12AD
	15ft / 5mt	U2-15AD	U3-15AD	U4-15AD

## TW NO.2 Air-Cooled Mig Welding Torch

Rating: 200A CO<sub>2</sub> 150A mixed gas M21, EN60974-7 @ 60% duty cycle. 0.6 to 1.2mm / 0.023-0.045" wires



### MODEL

Description	Part Number	10ft / 3mt	12ft / 4mt	15ft / 5mt
TWC No 2 Torch Package - Uni System		U2-10AD	U2-12AD	U2-15AD

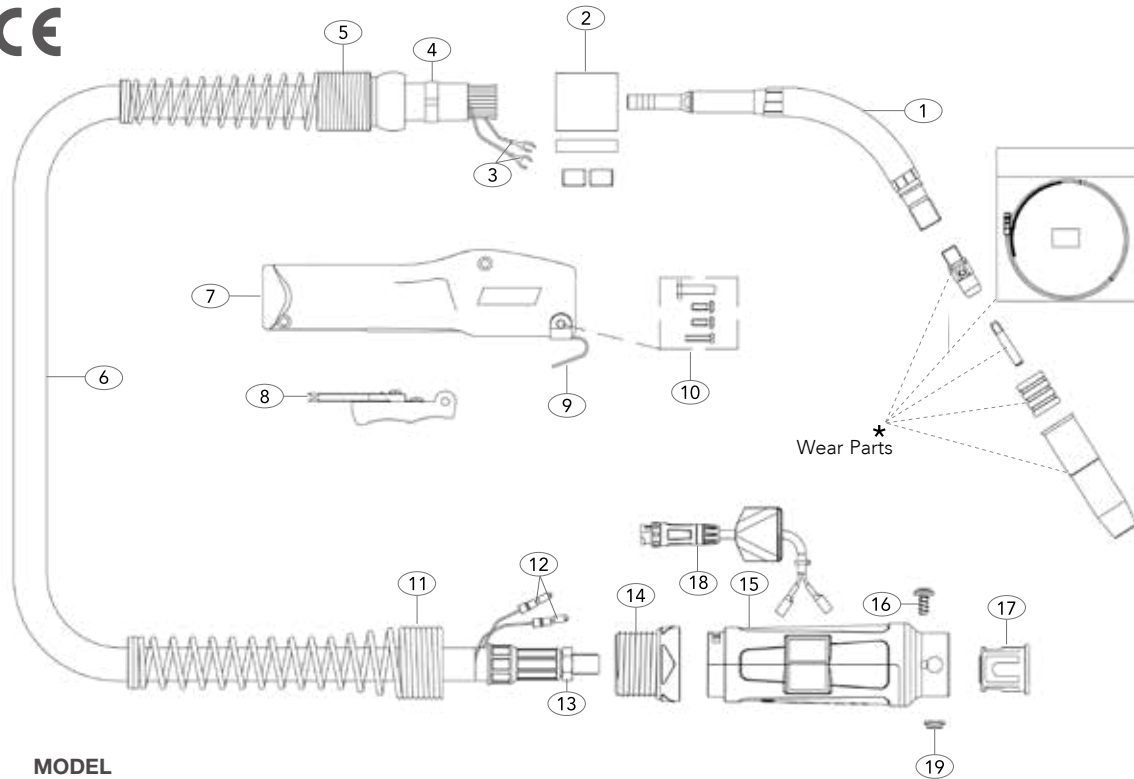
### Spare part

Part Number	Description	Part Number	Description
1	U62J60 Metal Jacket Swan Neck	12	UB1522 Cable Terminal Male
2	U102 Block c/w Spacer & Screws	13	UXL1542 Cable End Lock Nut (M12X1.0)
3	U244T Control Wire Terminals	14	SCSP1-1 Gun Plug Housing Screw
4	UB5044 Hose Clamp 18.5mm	15	SC2578HL-S Gun Plug Housing
5	U141-6S Spring Cable Support Small & Ball Joint	16	UBL1541 Gun Plug Screw
6	U200-10E Cable Assembly x 10ft	17	ECEM1575-2 Hybrid Plug Body TWC 1-4
	U200-12E Cable Assembly x 12ft	18	UQF-SW Male Switch Wire Plug
	U200-15E Cable Assembly x 15ft	19	SC2578-SP1 Housing Stopper
7	UP83 Handle With Hook & Screw		
8	U92 Trigger Switch		
9	U152 Hanger Hook		
10	U122FMS Screw Pack		
11	UC2841 Cable Support		

All products conform to EN60974-7, **CE** and are RoHS2, REACH and WEEE compliant

# TW NO.3 Air-Cooled Mig Welding Torch

Rating: 300A CO<sub>2</sub>, 250A mixed gas M21, EN60974-7 @ 60% duty cycle. 0.8 to 1.6mm / 0.030-1/16" wires

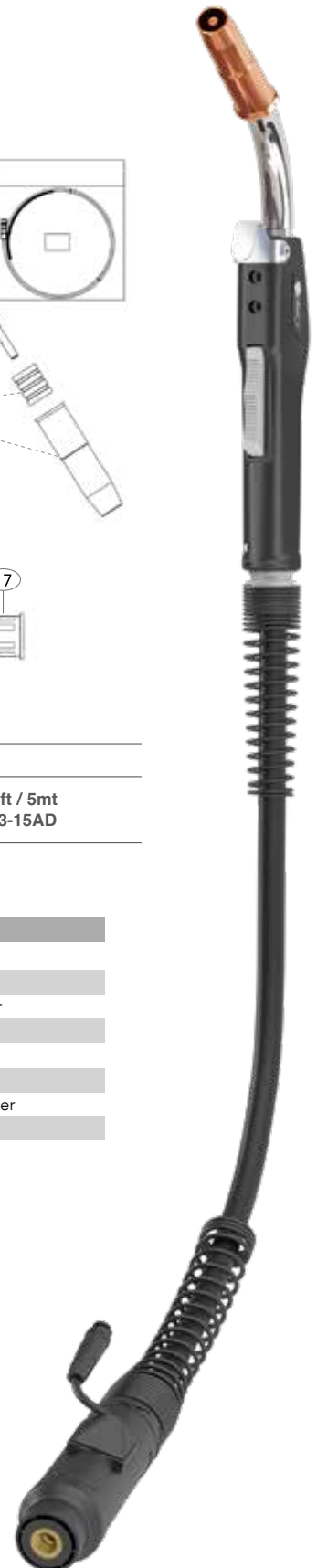


## MODEL

Description	Part Number		
TWC No 3 Torch Package - Uni System	10ft / 3mt U3-10AD	12ft / 4mt U3-12AD	15ft / 5mt U3-15AD

## Spare part

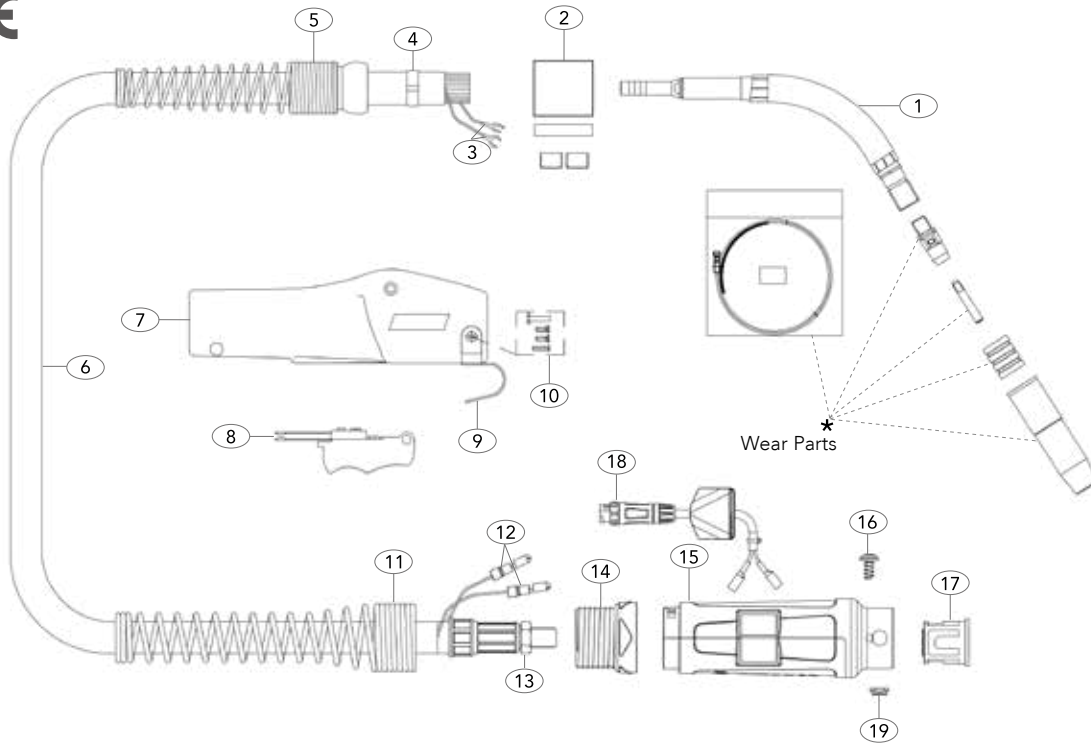
Part Number	Description	Part Number	Description
1	U63J60 Metal Jacket Swan Neck	12	UB1522 Cable Terminal Male
2	U102 Block c/w Spacer & Screws	13	UXL1542 Cable End Lock Nut (M12X1.0)
3	U244T Control Wire Terminals	14	UT8028 Largr Housing Spring Connector
4	U132-12 Cable Hose Clamp	15	UT5022-L Gun Plug Housing Assembly
5	UT8018S Spring Cable Support Medium & Ball Joint	16	UBL1541 Gun Plug Screw
6	U300-10E Cable Assembly x 10ft	17	ECEM1575-2 Hybrid Plug Body TWC 1-4
	U300-12E Cable Assembly x 12ft	18	UQF-SW-C Male Switch Wire Plug With Cover
	U300-15E Cable Assembly x 15ft	19	SC2578-SP1 Housing Stopper
7	UP83 Handle With Hook & Screw		
8	U92 Grey Trigger Switch		
9	U152 Hanger Hook		
10	U122FMS Screw Pack		
11	UC8026 Housing Spring		



All products conform to EN60974-7, CE and are RoHS2, REACH and WEEE compliant

## TW NO.4 Air-Cooled Mig Welding Torch

Rating: 400A CO<sub>2</sub> 350A mixed gas, M21 EN60974-7 @ 60% duty cycle. 0.8 to 2.0mm / 0.030-5/64" wires



### MODEL

Description	Part Number		
	10ft / 3mt	12ft / 4mt	15ft / 5mt
TWC No 4 Torch Package - Uni System	U4-10AD	U4-12AD	U4-15AD

### Spare part

Part Number	Description	Part Number	Description
1 U64J60	Metal Jacket Swan Neck	12 UB1522	Cable Terminal Male
2 U104	Connection Block c/w Spacer & Screws	13 UXL1542	Cable End Lock Nut (M12 X 1.0)
3 U244T	Control Wire Terminals	14 UT8028	Large Housing Spring Connector
4 U132-12	Cable Hose Clamp	15 UT5022-L	Gun Plug Housing Assembly
5 UBE8018	Spring Cable Support & Ball Joint	16 UBL1541	Gun Plug Screw
6 U400-10E	Cable Assembly x 10ft	17 ECEM1575-2	Hybrid Plug Body TWC 1-4
U400-12E	Cable Assembly x 12ft	18 UQF-SW-C	Quick Fit Switch Wire Plug With Cover
U400-15E	Cable Assembly x 15ft	19 SC2578-SP1	Housing Stopper
7 UB84A	Handle With Hook & Screw		
8 U94R	Trigger Switch		
9 U154	Hanger Hook		
10 U124FMS	Screw Pack		
11 UC8026	Housing Spring		

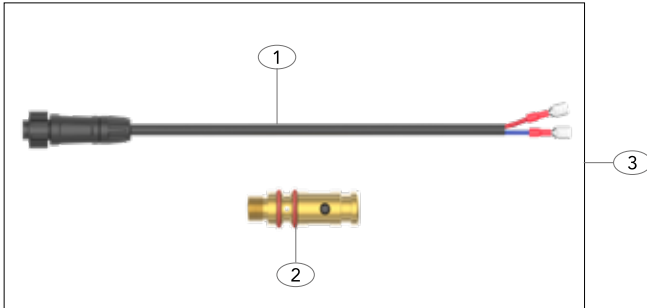
All products conform to EN60974-7, **CE** and are RoHS2, REACH and WEEE compliant



# Universal Kits

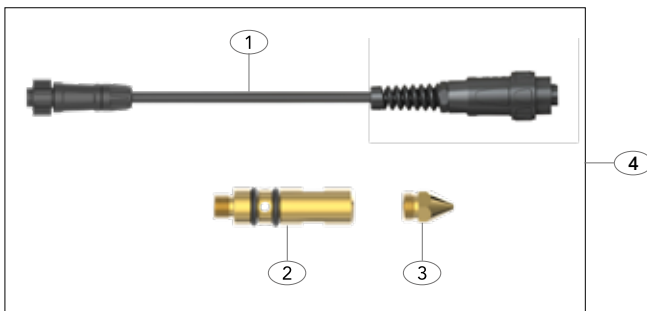
## Connector Kits

### Tweco® 1-4 Universal Kit



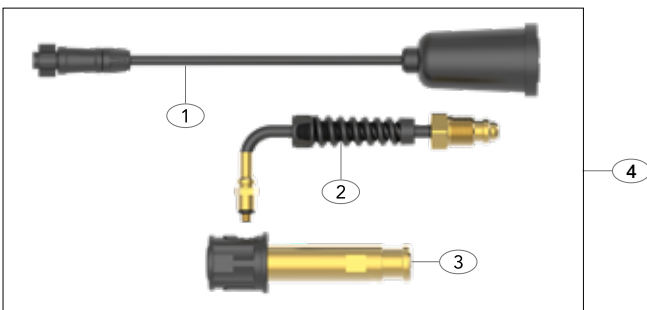
Direct Plug Connector	
Part Number	Description
1	ECEL1575-SW-Q Quick Fit Switch Wire Assembly
2	ECET1575-1 Tweco® 1-4 Power Pin
3	ECET1575K-Q Quick Fit Connector Kit Complete

### Miller®-TWC 1-4 Universal Kit



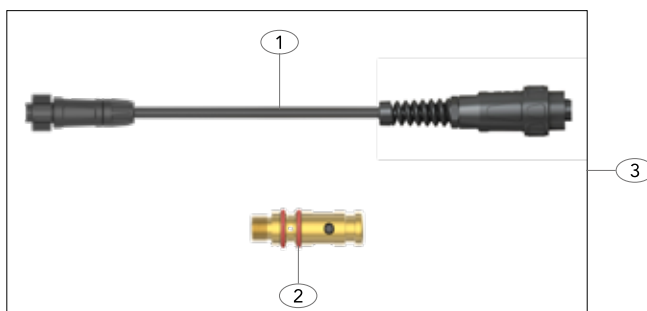
Direct Plug Connector	
Part Number	Description
1	ECEM1575-SW-Q Quick Fit Miller® Plug Assembly
2	ECEM1575-1 Miller® Power Pin
3	ML1570 Wire Guide 0.35"-1/16"
	ML1571 Wire Guide 5/16-3/32"(Option)
4	ECEM1575K-Q Quick Fit Connector Kit Complete

### Lincoln®-TWC 1-4 Universal Kit



Direct Plug Connector	
Part Number	Description
1	M16725-Q Quick Fit Lincoln® Plug Assembly
2	ECEL1575-G Lincoln® Gas Tube Assembly
3	ECEL1575 Lincoln® Power Pin
4	ECEL1575K-Q Quick Fit Connector Kit Complete

### LPW-TWC 1-4 Universal Kit



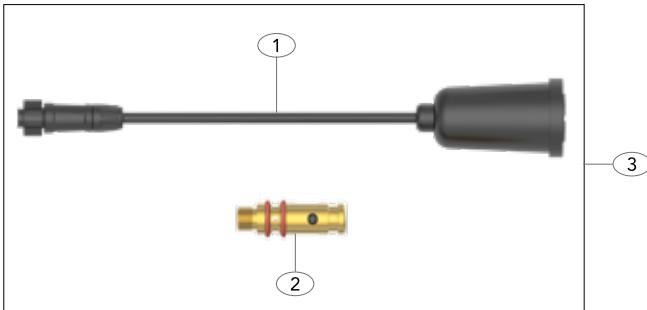
Direct Plug Connector	
Part Number	Description
1	ECEM1575-SW-Q Quick Fit Miller® Plug Assembly
2	ECET1575-1 Tweco® 1-4 Power Pin
3	ECEW1575K-Q Quick Fit Connector Kit Complete



**Universal Set-up Guide**  
A simple step by step guide

All products conform to EN60974-7, and are RoHS2, REACH and WEEE compliant

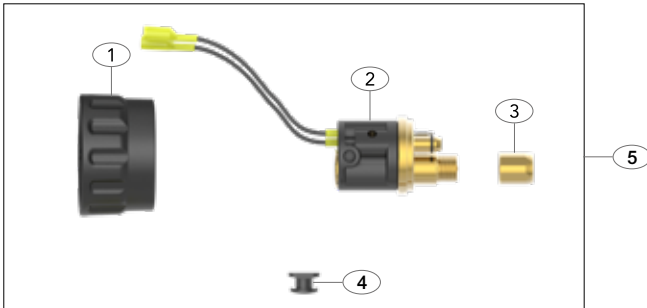
**LPB-TWC 1-4 Universal Kit**



Direct Plug Connector	
Part Number	Description
1 M16725-Q	Quick Fit Lincoln® Plug Assembly
2 ECET1575-1	Tweco® 1-4 Power Pin
3 ECEB1575K-Q	Quick Fit Connector Kit Complete

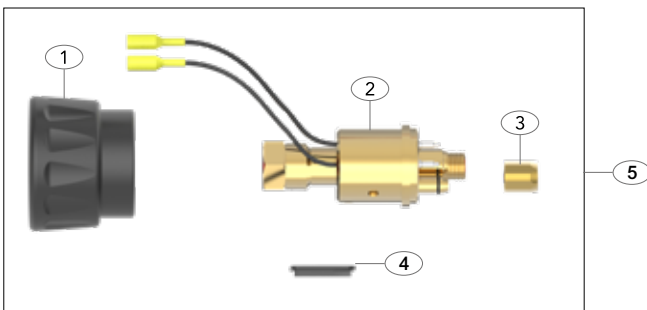
**Euro Connector Kits**

**TWC No.2 Universal Kit**



Direct Plug Connector	
Part Number	Description
1 UC1519-S	Gun Plug Nut
2 UC174EX-1	Gun Plug Body
3 UXL1826	Liner Retaining Nut
4 SC2578-SP2	Housing Stopper
5 UC174EX-1-KIT-QS	Quick Fit Connector Kit Complete

**TWC NO.3/4 Universal Kit**



Direct Plug Connector	
Part Number	Description
1 UB1519-S	Gun Plug Nut
2 UC174EX-1	Gun Plug Body
3 UXL1826	Liner Retaining Nut
4 SC8017	Large Housing Wire Cover
5 UC174EX-1-KIT-QL	Quick Fit Connector Kit Complete



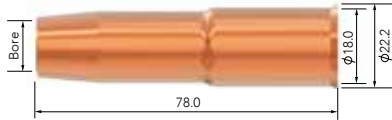
**Universal Set-up Guide**  
A simple step by step guide

All products conform to EN60974-7, **CE** and are RoHS2, REACH and WEEE compliant

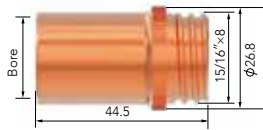
## Wear Parts

### TWC Nozzles

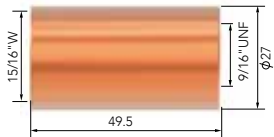
Part No. Description Bore Wall Material T1W NO.2 T1W NO.3 T1W NO.4



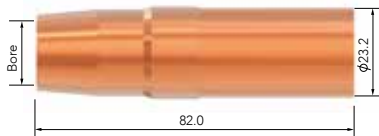
U22-50	Nozzle Adjustable	12.8	1.25mm	Copper	●	●	●
U22-62	Nozzle Adjustable	16.0	1.25mm	Copper	●	●	●



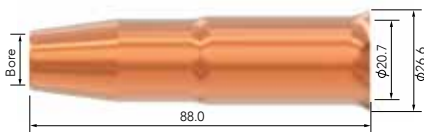
U24CT-50S	Nozzle Fixed Coarse Thread	12.8	1.95mm	Copper	●	●	●
U24CT-62S	Nozzle Fixed Coarse Thread	16.0	1.90mm	Copper	●	●	●
U24CT-75S	Nozzle Fixed Coarse Thread	19.0	2.45mm	Copper	●	●	●
U34CT	Nozzle Insulator Coarse Thread				●	●	●



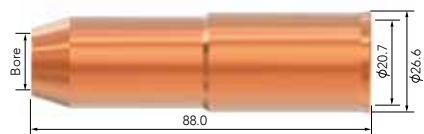
U23-50	Nozzle Self Insulated	12.7	1.60mm	Copper	●	●	●
U23-62	Nozzle Self Insulated	15.9	1.60mm	Copper	●	●	●
U23-75	Nozzle Self Insulated	19.0	1.60mm	Copper	●	●	●



U24A-50	Nozzle Adjustable	12.8	1.25mm	Copper	●	●	●
U24A-62	Nozzle Adjustable	16.0	1.25mm	Copper	●	●	●
U24A-75	Nozzle Adjustable	19.0	1.25mm	Copper	●	●	●

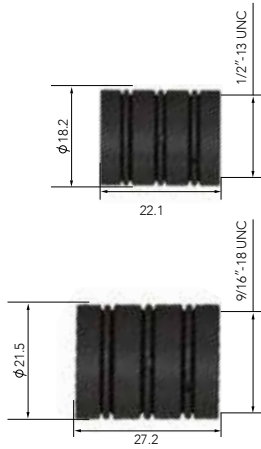


U24AH-50	Nozzle Heavy Duty	12.8	2.25mm	Copper	●	●	●
U24AH-62	Nozzle Heavy Duty	16.0	2.25mm	Copper	●	●	●
U24AH-75	Nozzle Heavy Duty	19.0	2.25mm	Copper	●	●	●



● Standard wear part range ● Torch package standard wear part set-up

## Wear Parts

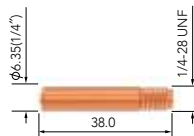


## TWC Insulator

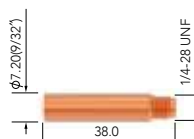
Part No.	Description	Bore	Wall	Material	TW NO.2	TW NO.3	TW NO.4
U32	Nozzle Insulator				●	●	●
U34A	Nozzle Insulator				●	●	●

## TWC Contact Tips

Part No.	Description	Material	Wire Size mm-INCH	TW NO.2	TW NO.3	TW NO.4
U14-23	Contact Tip	Ecu	0.6-0.023"	●	●	●
U14-30	Contact Tip	Ecu	0.8-0.030"	●	●	●
U14-35	Contact Tip	Ecu	0.9-0.035"	●	●	●
U14-40	Contact Tip	Ecu	1.0-0.040"	●	●	●
U14-45	Contact Tip	Ecu	1.2-0.045"	●	●	●
U14-52	Contact Tip	Ecu	1.3-0.052"	●	●	●
U14-116	Contact Tip	Ecu	1.6-0.063"	●	●	●
U14-564	Contact Tip	Ecu	2.0-0.063"	●	●	●



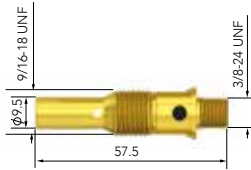
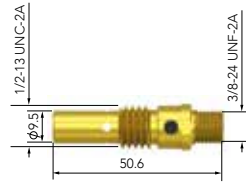
U14H-30	Contact Tip	Ecu	0.8-0.030"	●	●	●
U14H-35	Contact Tip	Ecu	0.9-0.035"	●	●	●
U14H-40	Contact Tip	Ecu	1.0-0.040"	●	●	●
U14H-45	Contact Tip	Ecu	1.2-0.045"	●	●	●
U14H-52	Contact Tip	Ecu	1.3-0.052"	●	●	●
U14H-116	Contact Tip	Ecu	1.6-1/16"	●	●	●
U14H-564	Contact Tip	Ecu	2.0-5/64"	●	●	●



● Standard wear part range    ● Torch package standard wear part set-up

## Wear Parts






### TWC Diffuser



Part No.	Description	Bore	Material	TW NO.2	TW NO.3	TW NO.4
U52	Diffuser		Brass	●	●	●
U52FN	Diffuser		Brass	●	●	●
U54A	Diffuser		Brass	●	●	●






● Standard wear part range    ● Torch package standard wear part set-up

## Wear Parts

TWC Liners						TW NO.2	TW NO.3	TW NO.4
Part No.	Length	Description	Nipple	Wire Size mm-INCH				
								
U42-3035-15	4.90mt	Steel Liner x 15ft	Moulded Nipple	0.8-0.9/0.030-0.035"	●	●	●	
U42-3035-25	8.10mt	Steel Liner x 25ft	Moulded Nipple	0.8-0.9/0.030-0.035"	●	●	●	
								
UA42-3035-15	4.90mt	Steel Liner x 15ft	Brass Nipple	0.8-0.9/0.030-0.035"	●	●	●	
UA42-3035-25	8.10mt	Steel Liner x 25ft	Brass Nipple	0.8-0.9/0.030-0.035"	●	●	●	
								
U42-4045-15	4.90mt	Steel Liner x 15ft	Moulded Nipple	1.0-1.2/0.040-0.045"	●	●	●	
U42-4045-25	8.10mt	Steel Liner x 25ft	Moulded Nipple	1.0-1.2/0.040-0.045"	●	●	●	
								
UA42-4045-15	4.90mt	Steel Liner x 15ft	Brass Nipple	1.0-1.2/0.040-0.045"	●	●	●	
UA42-4045-25	8.10mt	Steel Liner x 25ft	Brass Nipple	1.0-1.2/0.040-0.045"	●	●	●	
								
U42N-4045-15	4.90mt	Polyamide Liner x 15ft	Brass Nipple	1.0-1.2/0.040-0.045"	●	●	●	
U42N-4045-25	8.10mt	Polyamide Liner x 25ft	Brass Nipple	1.0-1.2/0.040-0.045"	●	●	●	
								
U44-3545-15	4.90mt	Steel Liner x 15ft	Moulded Nipple	0.9-1.2/0.035-0.045"	●	●	●	
U44-3545-25	8.10mt	Steel Liner x 25ft	Moulded Nipple	0.9-1.2/0.035-0.045"	●	●	●	
								
UA44-3545-15	4.90mt	Steel Liner x 15ft	Brass Nipple	0.9-1.2/0.035-0.045"	●	●	●	
UA44-3545-25	8.10mt	Steel Liner x 25ft	Brass Nipple	0.9-1.2/0.035-0.045"	●	●	●	

● Standard wear part range    ● Torch package standard wear part set-up

## Wear Parts

TWC Liners						TW NO.2	TW NO.3	TW NO.4
Part No.	Length	Description	Nipple	Wire Size mm-INCH				
								
U44-116-15	4.90mt	Steel Liner x 15ft	Moulded Nipple	1.6-1/16"	●	●	●	
U44-116-25	8.10mt	Steel Liner x 25ft	Moulded Nipple	1.6-1/16"	●	●	●	
								
UA44-116-15	4.90mt	Steel Liner x 15ft	Brass Nipple	1.6-1/16"	●	●	●	
UA44-116-25	8.10mt	Steel Liner x 25ft	Brass Nipple	1.6-1/16"	●	●	●	
								
U44N-116-15	4.90mt	Polyamide Liner x 15ft	Brass Nipple	1.6-1/16"	●	●	●	
U44N-116-25	8.10mt	Polyamide Liner x 25ft	Brass Nipple	1.6-1/16"	●	●	●	
								
U44-564-15	4.90mt	Steel Liner x 15ft	Moulded Nipple	2.0-5/64"	●	●	●	
U44-564-25	8.10mt	Steel Liner x 25ft	Moulded Nipple	2.0-5/64"	●	●	●	
								
UA44-564-15	4.90mt	Steel Liner x 15ft	Brass Nipple	2.0-5/64"	●	●	●	
UA44-564-25	8.10mt	Steel Liner x 25ft	Brass Nipple	2.0-5/64"	●	●	●	

● Standard wear part range    ● Torch package standard wear part set-up

## Welding & Cutting Torch Technology

**JINAN UNIARC WELDING TECHNOLOGY CO., LTD**

13A Zhangjin Comprehensive Bonded Zone  
33688, Jing Shi Dong Road  
Jinan Area of China (Shandong) Pilot Free Trade Zone  
Jinan 250102, P.R. China

**Tel:** +86 531 88239823

**Website:** [www.uniarctorchology.com](http://www.uniarctorchology.com)

**Email:** [info@uniarctorchology.com](mailto:info@uniarctorchology.com)

V.2024.1